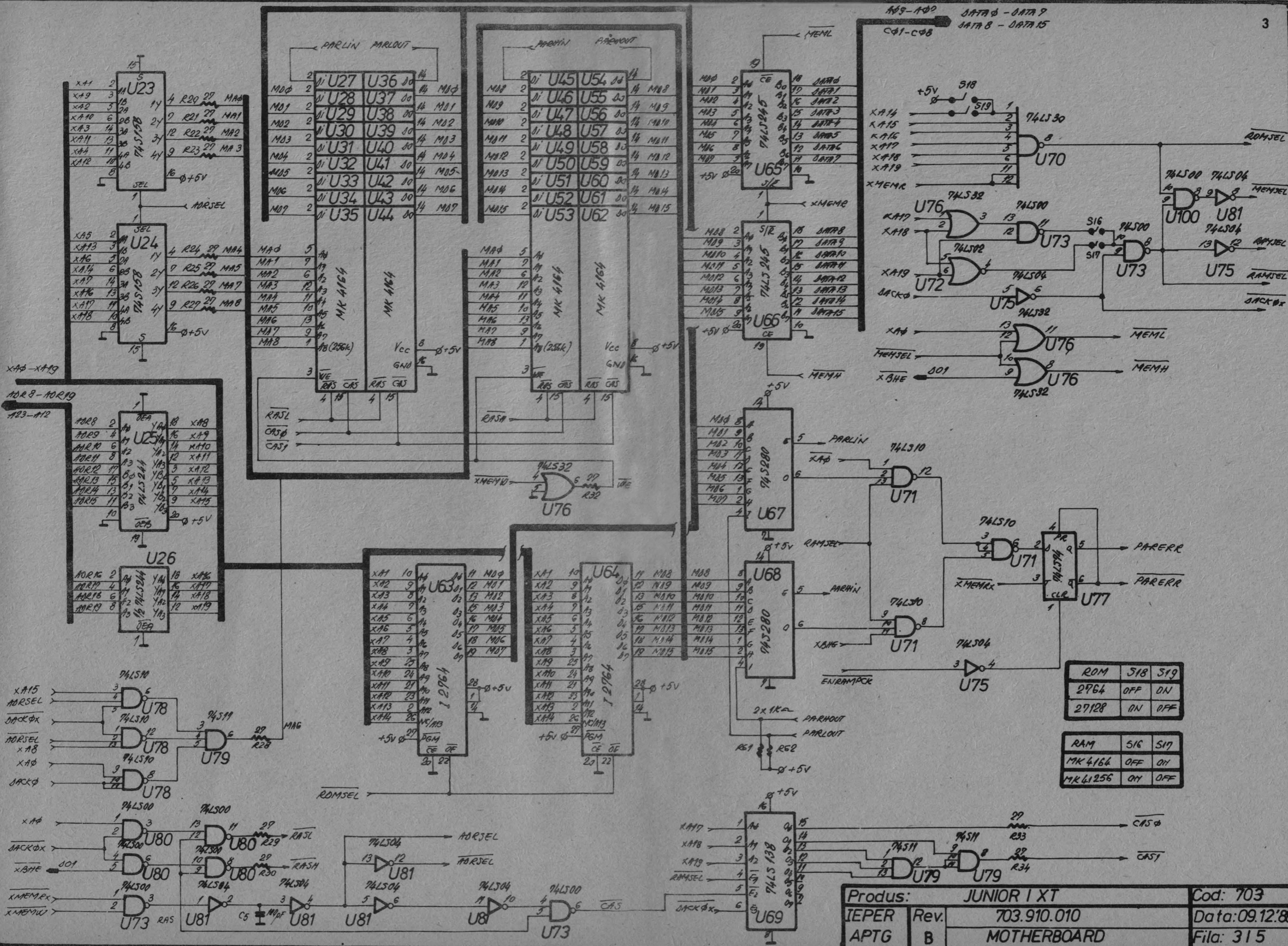


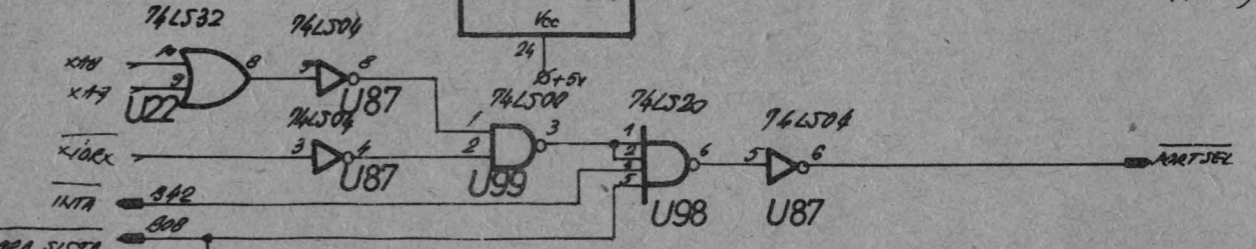
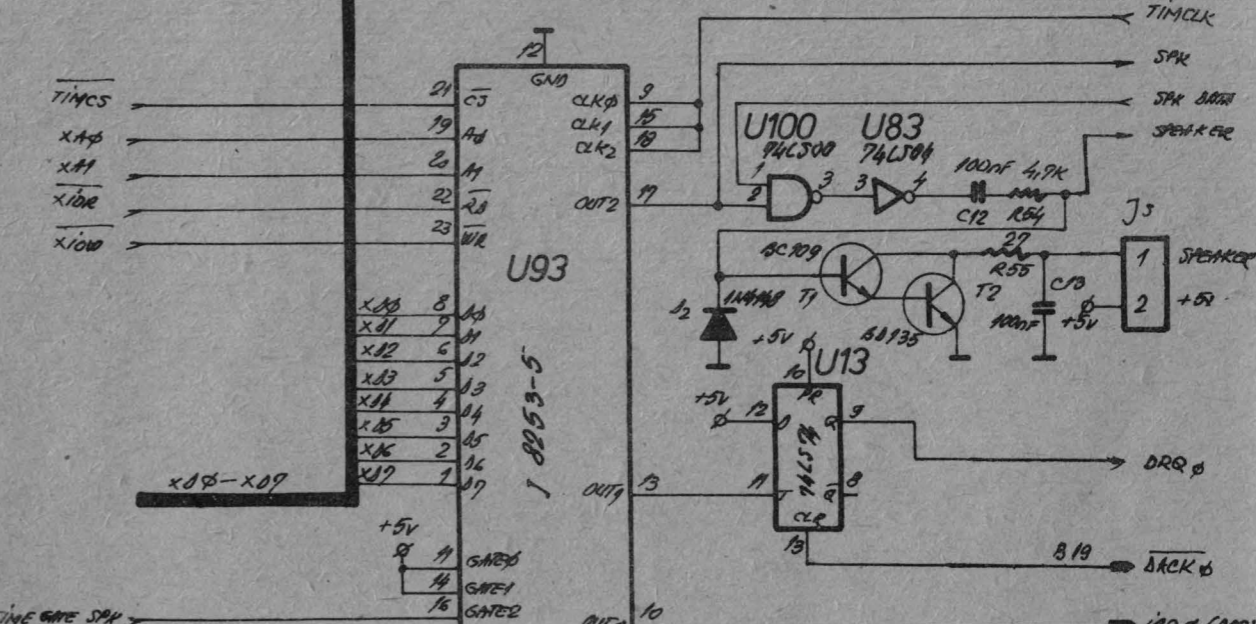
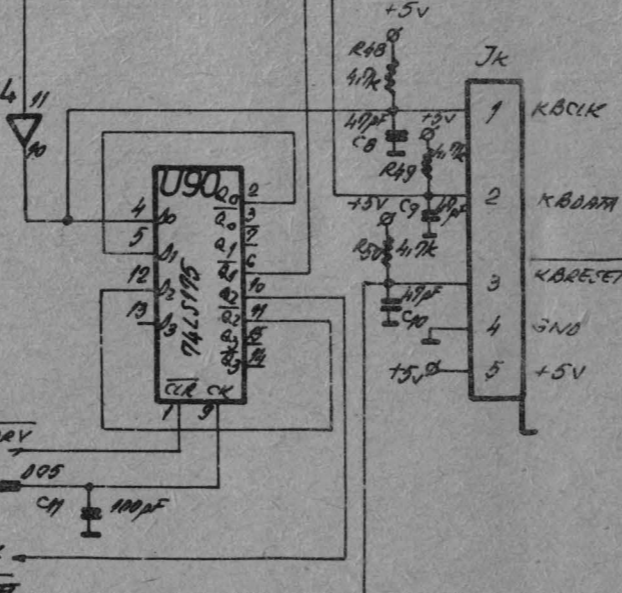
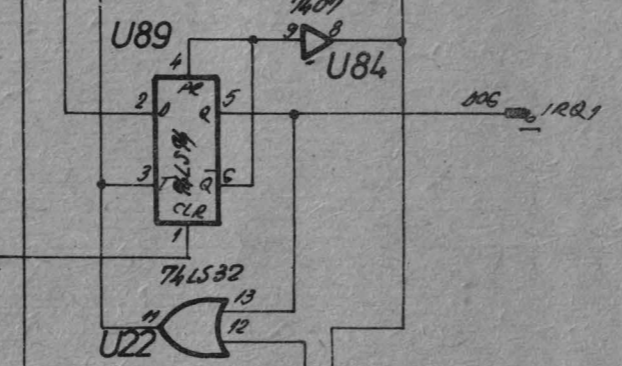
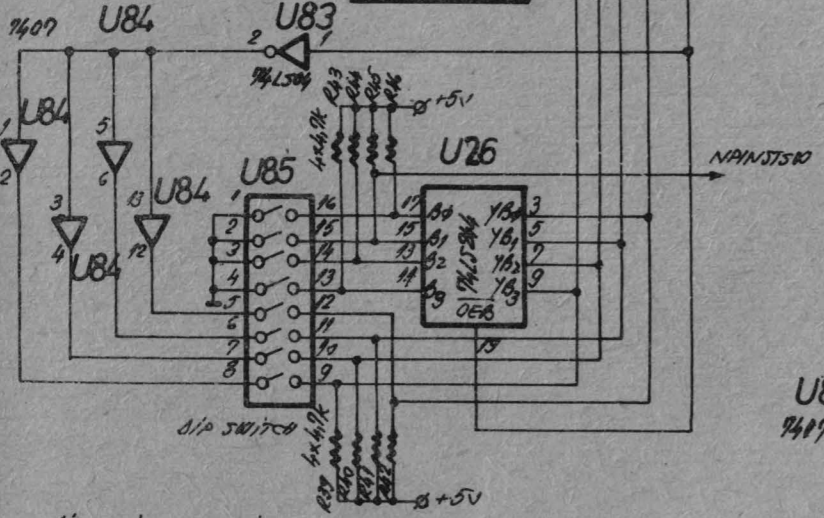
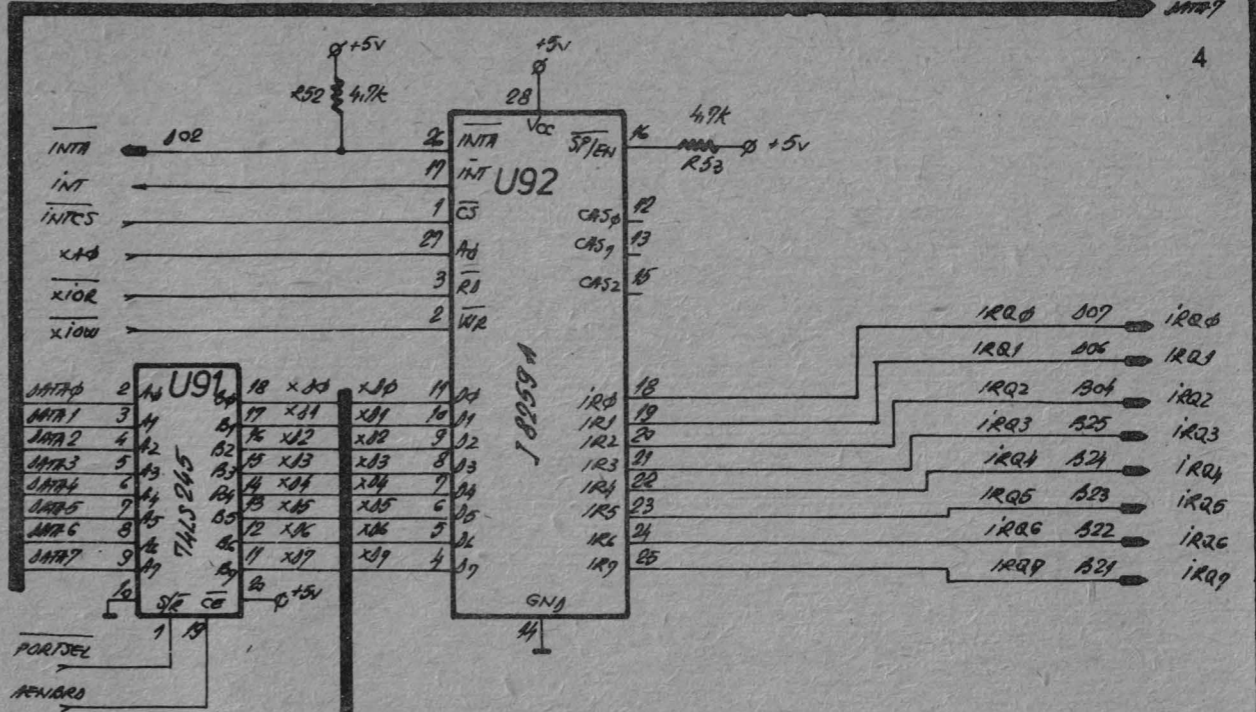
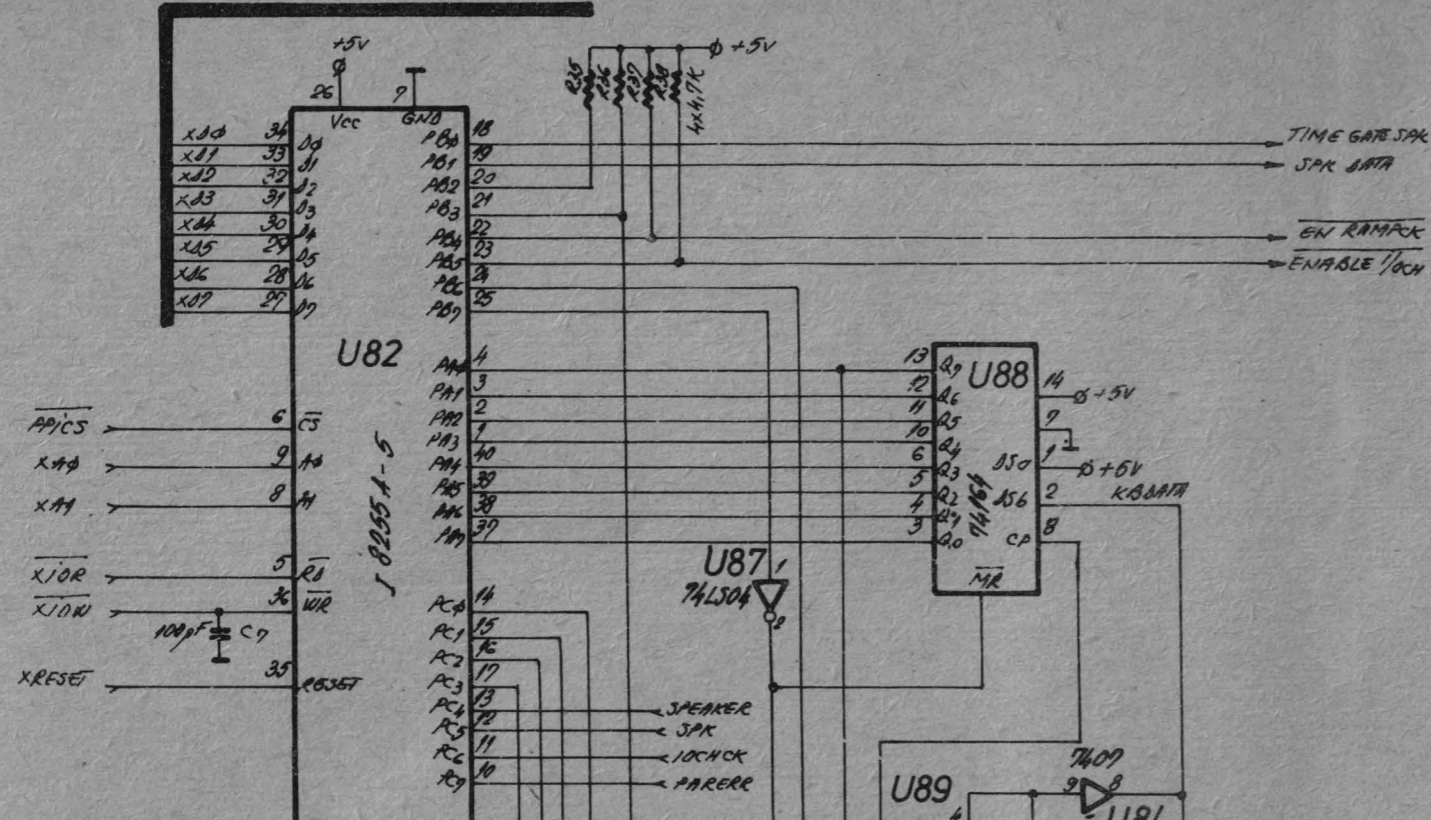
DMA CONTROLLER	S12	S13	S14	S15
8237	OFF	ON	ON	OFF
8257	ON	OFF	OFF	ON



ROM	S18	S19
2764	OFF	ON
27128	ON	OFF

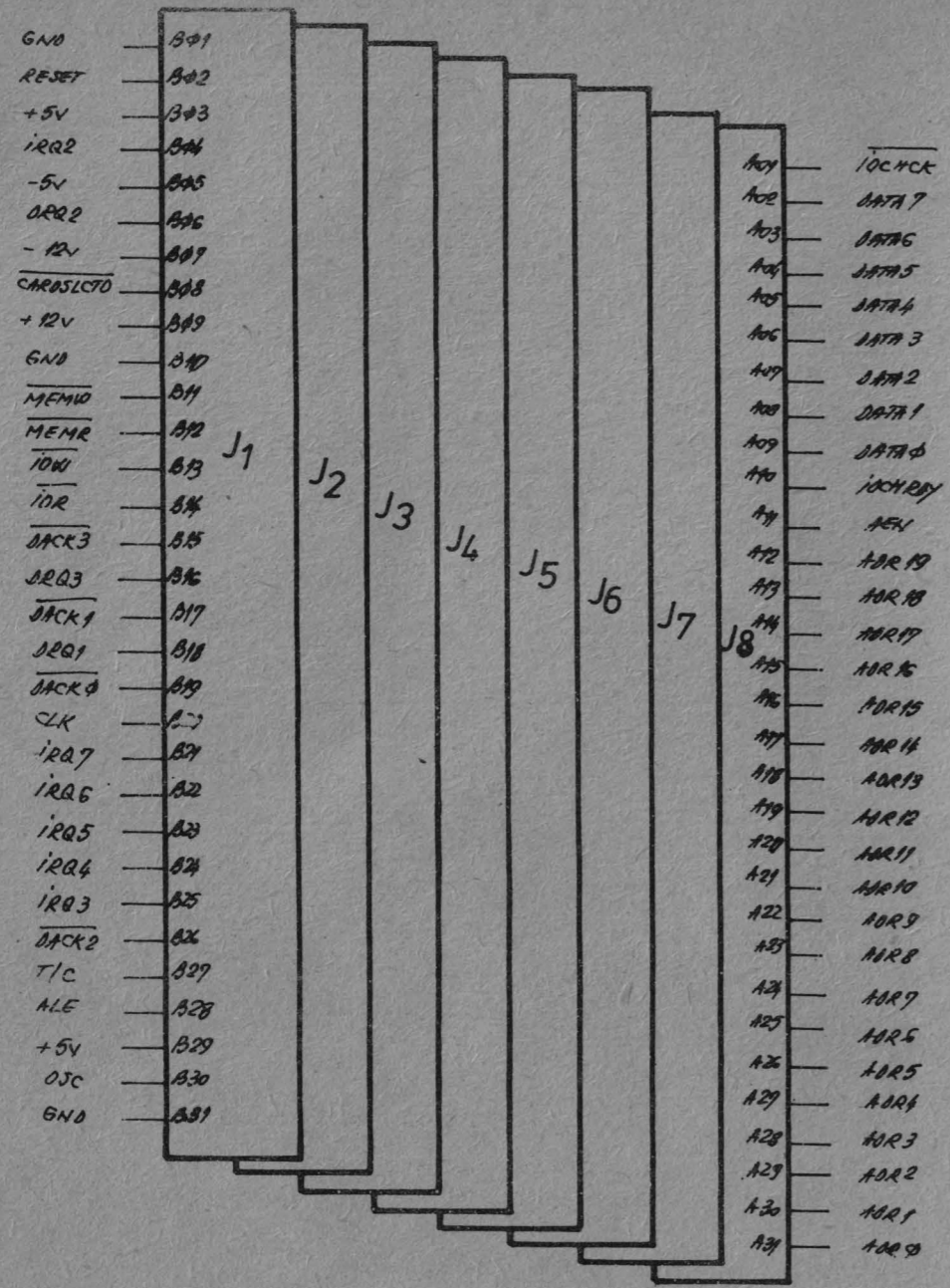
RAM	S16	S17
MK 4164	OFF	ON
MK 41256	ON	OFF

Produs:		JUNIOR I XT		Cod: 703	
IEPER	Rev.	703.910.010		Data: 09.12.88	
APTG	B	MOTHERBOARD		Fila: 315	

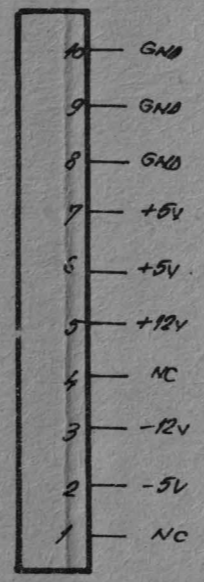


- DIP SWITCH FUNCTION:
- 1 \* NORMAL OPERATION OFF
  - 2 \* USE FOR 8087 CO-PROCESSOR
  - 3-4 \* AMOUNT OF MEMORY ON SYSTEM BOARD
    - 3 = OFF 4 = ON 128k MEMORY INSTALLED
    - 3 = ON 4 = OFF 192k MEMORY INSTALLED
    - 3 = OFF 4 = OFF 256k MEMORY INSTALLED
  - 5-6 \* TYPE OF DISPLAY ADAPTER
    - 5 = ON 6 = ON NO DISPLAY ADAPTER
    - 5 = OFF 6 = ON COLOR/GRAPHICS (40x25 MODE)
    - 5 = ON 6 = OFF COLOR/GRAPHICS (80x25 MODE)
    - 5 = OFF 6 = OFF MONOCHROME 1600
  - 7-8 \* NUMBER OF 5 1/4 INCH DISKETTE DRIVES
    - 7 = ON 8 = ON 1 DRIVE INSTALLED
    - 7 = OFF 8 = ON 2 DRIVES INSTALLED
    - 7 = ON 8 = OFF 3 DRIVES INSTALLED
    - 7 = OFF 8 = OFF 4 DRIVES INSTALLED

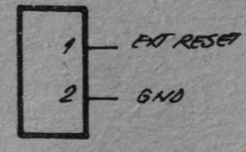
Produs:	JUNIORIXT		Cod: 703
IEPER APTG	Rev. B	703 910 010	Data: 09.12.'86
		MOTHERBOARD	Fila: 415



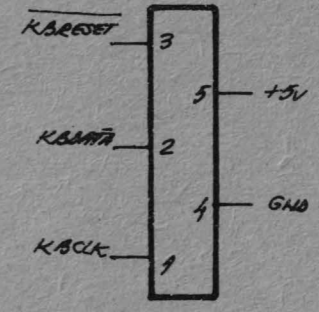
J<sub>P</sub> (POWER JUMP)



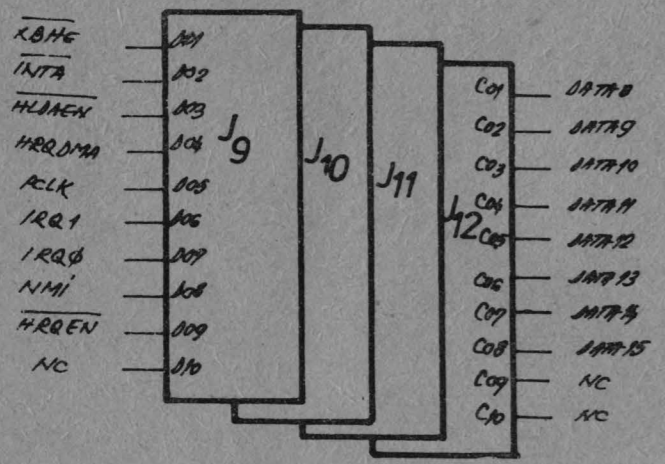
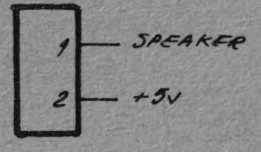
J<sub>R</sub> (RESET)



J<sub>K</sub> (KEYBOARD)



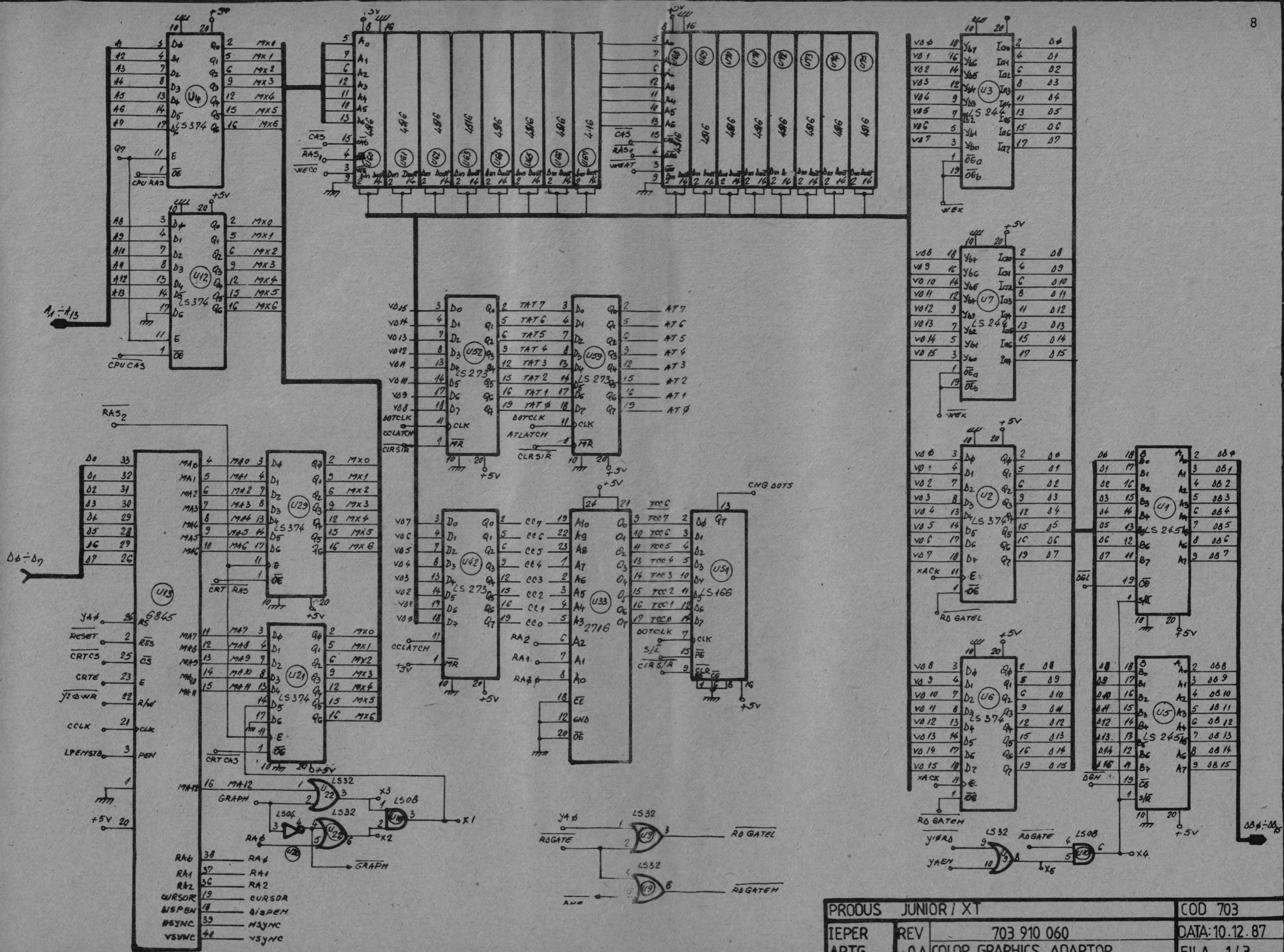
J<sub>S</sub> (SPEAKER)



Produs: JUNIOR I XT		Cod: 703
IUPER	Rev. 703.910.010	Data: 09.12.'88
APTG	B MOTHERBOARD	Fila: 515

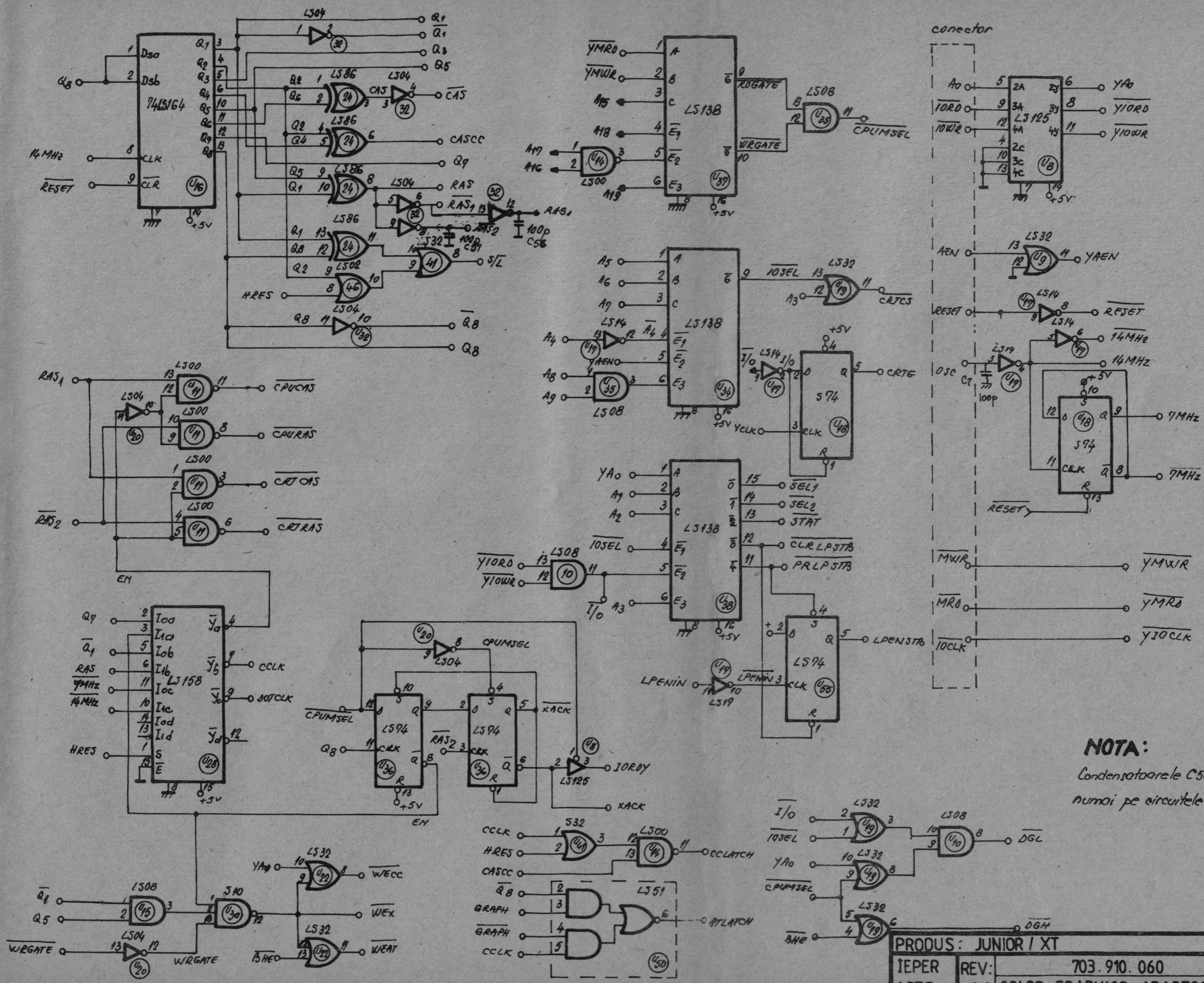


Poz	Simbol	Denumirea	Cod	Observatii	Cont.	Poz	Simbol	Denumirea	Cod	Observatii	Cont.	
								Resistență 4k7/5%/0,25W	RPM 3025		37	
						34	R61, R62	Resistență 1k/5%/0,25W	RPM 3025		2	
						33	U84	Circuit integrat	CA8 407		1	
						32	U94	Circuit integrat	74LS94	K531M2P	1	
						31	U96	Circuit integrat	74LS08	KM 531LI1	1	
						30	U99	Circuit integrat	74LS00	K531LA3P	1	
						29	U88	Circuit integrat	74LS164	K5551R8	1	
64		distanțieri plăgă	286.000011		9	28	U70	Circuit integrat	74LS30	K555LA2	1	
63		Rigidizare	703.110.010		4	27	U98	Circuit integrat	74LS20	K555LA1	1	
62	U4	Circuit integrat	18087	optional	1	26	U92	Circuit integrat	74LS02	K555LE1	1	
61		Țaibă izolatoare	211010xx		42	25	U13, U99, U89	Circuit integrat	74LS94	K555TM2	3	
60		Piuliță hexagonală	316.110.030		33	24	U22, U96	Circuit integrat	74LS32	K555LL1	2	
59		Șurub M3x20	5715 10295/00		24	23	U99	Circuit integrat	74LS11	K555LI3	1	
58	CN1 ÷ CN8	conector mamă	308.652		8	22	U71, U98, U95	Circuit integrat	74LS10	K555LA4	3	
57	CNKA	conector mamă 5 contacte	303.608A		1	21	U14, U93, U90, U100	Circuit integrat	74LS00	K555LA3	4	
56	CN5, CN37	conector MOLEX tata 2 contacte	201.649		2	20	U83, U87, U91	Circuit integrat	74LS04	K555LA1	6	
55	CNPS	conector MOLEX tata 10 contacte	201.652		1		U11, U95, U81					
54	U85	Interrupător prin translație	200.025A		4	19	U12	Circuit integrat	74LS125	K555LP8	1	
53	C2	condensator 30-40pF	CT 1000V		1	18	U90, U99	Circuit integrat	74LS175	K555TM8	2	
52	U93	Soclu ci 24 pini	779.190.19		1	17	U16, U69	Circuit integrat	74LS138	K555107	2	
51	U63, U64, U92	Soclu ci 28 pini	779.190.20		3	16	U19	Circuit integrat	74LS90	K155RP1	1	
50	U3, U4, U15, U82	Soclu ci 40 pini	779.190.21		4	15	U23, U24	Circuit integrat	74LS158/74LS28	K531KPM1	2	
49	Q	Cuort 14,318 MHz			1	14	U67, U68	Circuit integrat	74LS280	K531P5P	2	
48	U3	Led	NBE 101R		1	13	U21, U25, U26	Circuit integrat	74LS244	K555AP5	3	
47	U1, U2	Nodă	1N4148		2	12	U5, U6, U7, U18	Circuit integrat	74LS393	K5551R22	4	
46	T1	Tranzistor	BC 107		1	11	U17, U20, U65, U66, U91	Circuit integrat	74LS245	K555AP6	8	
45	T2	Tranzistor	BC 135		1		U8, U9, U10					
44	C69, C72, C77	Condensator 10pF/16V	CTSA 1042		11	10	U27-U62	Circuit integrat	MK 4164	K565RUS6	36	
						9	U63, U64	Circuit integrat	12764/128	K573RF4/6	2	
						8	U2	Circuit integrat	18284	KR18106F04	1	
						7	U1	Circuit integrat	18288	KR1810V685	1	
43	C12, C13, C17, C19, C19, C23	Condensator 100nF/10%/50V	MX 3204		62	6	U92	Circuit integrat	18259A	KR1810VN394	1	
42	C8, C9, C10	Condensator 47pF/10%/50V	MD 3202		3	5	U93	Circuit integrat	18253	KR180VI53	1	
41	C16, C9, C11	Condensator 100pF/10%/60V	MD 3202		4	4	U82	Circuit integrat	18255A-5	KR580IK55	1	
40	R6, R7	Resistență 510Ω/5%/0,25W	RPM 3025		2	3	U15	Circuit integrat	18237-5		1	
39	R51	Resistență 120Ω/5%/0,25W	KM 3025		1	2	U3	Circuit integrat	18086	KR1810V100	1	
38	R8-R11, R20-R21, R32-R34	Resistență 27Ω/5%/0,25W	RPM 3025		17	1		Circuit imprimat	703.910.011	Rev. B	1	
37	R55	Resistență 27Ω/2%/0,5W	RPM 3050		1			Poz Simbol	Denumirea	Cod	Observatii	Cont.
36	R5	Resistență 464k/2%/0,25W	RPM 3025		1			Produs:	JUNIOR-XT		Cod: 703	
35	R35-R51, R52-R54, R53-R56							IUPER	Rev. B	703 910 010	Data: 5.12.88	
								APTG		MOTHERBOARD	Fila: 212	



PRODS	JUNIOR / XT	COD 703
IEPER	REV 703 910 060	DATA: 10.12.87
APTE	QA COLOR GRAPHICS ADAPTOR	FILE 113





**NOTA:**  
 Condensatoarele C56, C57 se implantează numai pe circuitele imprimare REV. A

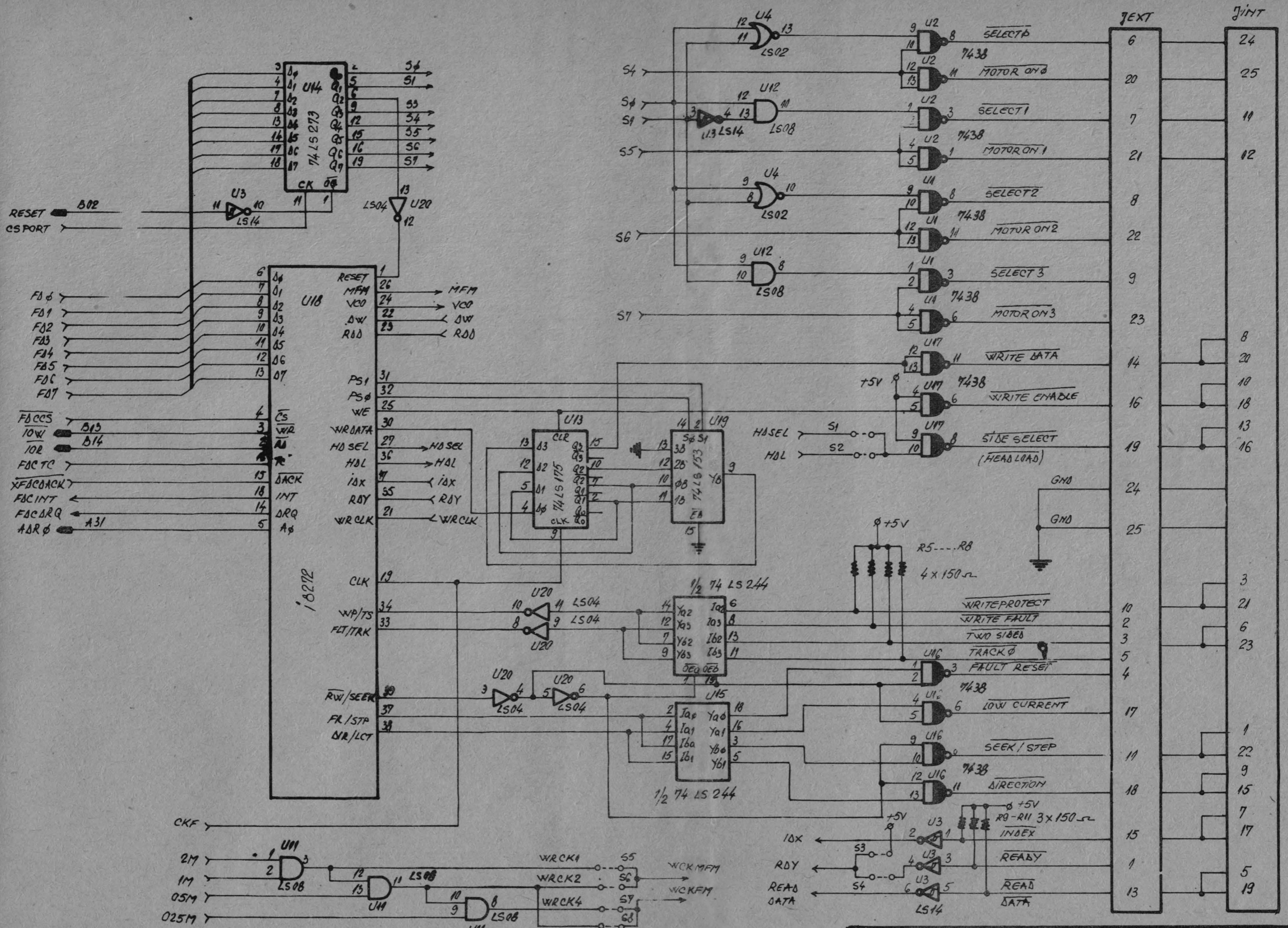
PRODUS: JUNIOR / XT		COD: 703
IUPER	REV: 703.910.060	DATA: 10.12.87
APTG	0, A COLOR GRAPHICS ADAPTOR	FILE: 2 / 3





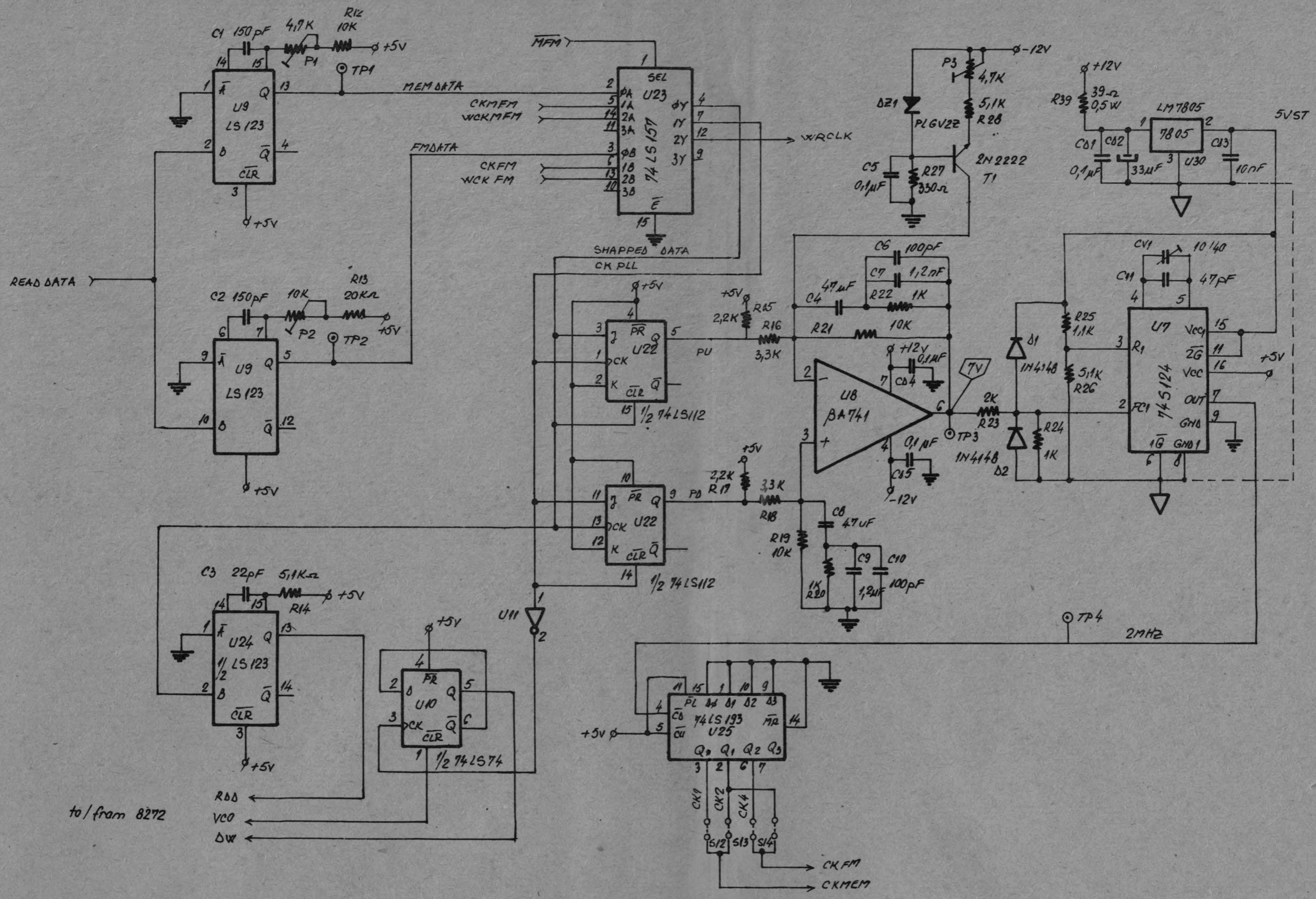
37	11-74	Tranzistor	2N2222		4
36	C8-C56	Condensator 100n/10%/50V	MC 3203		48
35	C1-C6	Condensator 33p/10%/50V	MC 3202		6
34	R3	Rezistor 12K/5%/0.25W	RPM 3025		1
33	R4	Rezistor 3K7/5%/0.25W	RPM 3025		1
32	R1	Rezistor 1K2/5%/0.25W	RPM 3025		1
31	R2	Rezistor 560-Ω/5%/0.25W	RPM 3025		1
30	R8-R13	Rezistor 470-Ω/5%/0.25W	RPM 3025		6
29	R5, R6, R15, R17, R19	Rezistor 180-Ω/5%/0.25W	RPM 3025		5
28	R7, R14, R16, R18	Rezistor 75-Ω/5%/0.25W	RPM 3025		4
27	ic 56	Circuit integrat	088 493	K555 IE5	1
26	ic 24, ic 26	Circuit integrat	74LS86	K555 LP5	2
25	ic 36, ic 55	Circuit integrat	74LS74	K555 TM2	2
24	ic 50	Circuit integrat	74LS51	K555 LR11	1
23	ic 9, ic 19, ic 22	Circuit integrat	74LS32	K555 LL1	3
22	ic 17	Circuit integrat	74LS14	K555 TL2	1
21	ic 30	Circuit integrat	74S10	K531 LA4P	1
20	ic 10, ic 15, ic 35	Circuit integrat	74LS08	K555 LI1	3
19	ic 20, ic 32, ic 39	Circuit integrat	74LS04	K555 LM1	3
18	ic 46	Circuit integrat	74LS02	K555 LE1	1
17	ic 11, ic 14	Circuit integrat	74LS00	K555 LA3	2
16	ic 6, ic 53	Circuit integrat	74LS125	K555 LP8	2
15	ic 34, ic 37, ic 38	Circuit integrat	74LS138	K555 IO7	3
14	ic 23, ic 31	Circuit integrat	74LS153	K555 KP2	2
13	ic 28	Circuit integrat	74LS253 / 74LS158	K555 KP4A	1
12	ic 16, ic 27	Circuit integrat	74LS164	K555 IR8	2
11	ic 57, ic 58, ic 59	Circuit integrat	74LS166	K555 IR10	3
10	ic 40, ic 48, ic 49, ic 54	Circuit integrat	74LS174	K555 TM9	4
9	ic 25	Circuit integrat	74LS175	K555 TM8	1
8	ic 3, ic 9, ic 43, ic 44	Circuit integrat	74LS244	K555 AP5	4
7	ic 1, ic 5	Circuit integrat	74LS245	K555 AP6	2
6	ic 60-ic 75	Circuit integrat	MK 4516	K565 RU6	16
5	ic 42, ic 52, ic 59	Circuit integrat	74LS273		3
4	ic 2, ic 4, ic 6, ic 12, ic 24, ic 29	Circuit integrat	74LS374	K555 IR23	6
3	ic 33	Circuit integrat	2716	K573 Rφ2	1
2	ic 13	Circuit integrat	6845		1
1		Circuit imprimat	703.910.061	Rev. A	1

56	C56, C57, C7	Condensator 100p 10% 50V	MC 3202		3	16	ic 6, ic 53	Circuit integrat	74LS125	K555 LP8	2
55	ic 18	Circuit integrat	74S74	K531 TH2P	1	15	ic 34, ic 37, ic 38	Circuit integrat	74LS138	K555 IO7	3
54	ic 45	Circuit integrat	74S57	K531 LRMP	1	14	ic 23, ic 31	Circuit integrat	74LS153	K555 KP2	2
53	ic 41, ic 42	Circuit integrat	74S32	K531 LL1P	2	13	ic 28	Circuit integrat	74LS253 / 74LS158	K555 KP4A	1
52		Nit	342.400.303		2	12	ic 16, ic 27	Circuit integrat	74LS164	K555 IR8	2
51		Surub M3x8	304.110.308		2	11	ic 57, ic 58, ic 59	Circuit integrat	74LS166	K555 IR10	3
50		Saibă plotă φ3	332.110.030		2	10	ic 40, ic 48, ic 49, ic 54	Circuit integrat	74LS174	K555 TM9	4
49		Ureche cu filet	400.057		2	9	ic 25	Circuit integrat	74LS175	K555 TM8	1
48		Saibă izolatoare	2110.10xx		4	8	ic 3, ic 9, ic 43, ic 44	Circuit integrat	74LS244	K555 AP5	4
47		Piuliță hexagonală M3	316.110.030		4	7	ic 1, ic 5	Circuit integrat	74LS245	K555 AP6	2
46		Surub M3x6	304.110.306		2	6	ic 60-ic 75	Circuit integrat	MK 4516	K565 RU6	16
45		Circuit imprimat conector RCA	703.910.244 Rev. P		1	5	ic 42, ic 52, ic 59	Circuit integrat	74LS273		3
44		Conector RCA mamă	2008.60		1	4	ic 2, ic 4, ic 6, ic 12, ic 24, ic 29	Circuit integrat	74LS374	K555 IR23	6
43		Conector rock 9 ct. m	2008.54		1	3	ic 33	Circuit integrat	2716	K573 Rφ2	1
42		Suport conectori tip 2	703.110.009		1	2	ic 13	Circuit integrat	6845		1
41	RGB, LPEH	Conector totă 6 contacte	201.139		2	1		Circuit imprimat	703.910.061	Rev. A	1
40	C58-C59	Condensator 33μ/16V/10%	CTSP. 65		2	Poz	Simbol	Denumirea	Cod	Observatii	Cont
39	ic 33	Soclu Ci 24 pini	779.14.119		1	Produs:	JUNIOR - XT				Cod: 703
38	ic 13	Soclu Ci 40 pini	779.14.021		1	IEPER	Rev.	703.910.060		Data: 1.07.88	
Poz	Simbol	Denumirea	Cod	Observatii	Cont	APTG.	O.A	COLOR GRAPHICS ADAPTOR		Fila: 2/2	



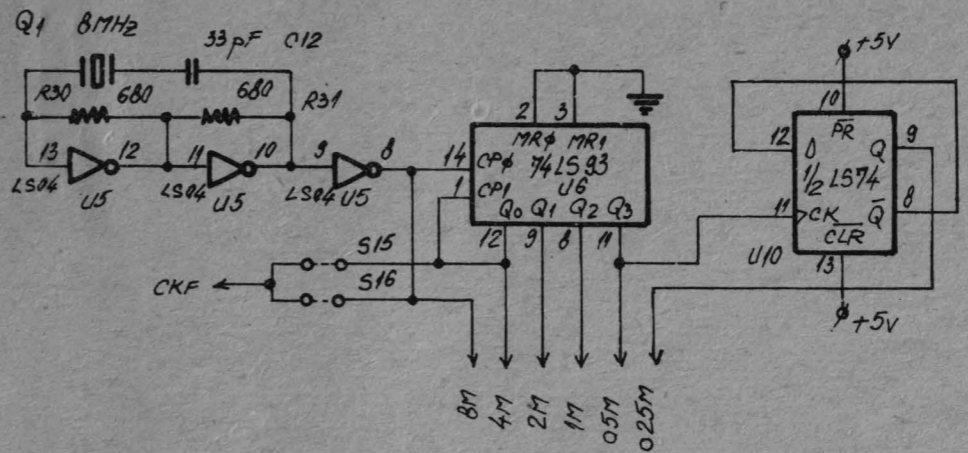
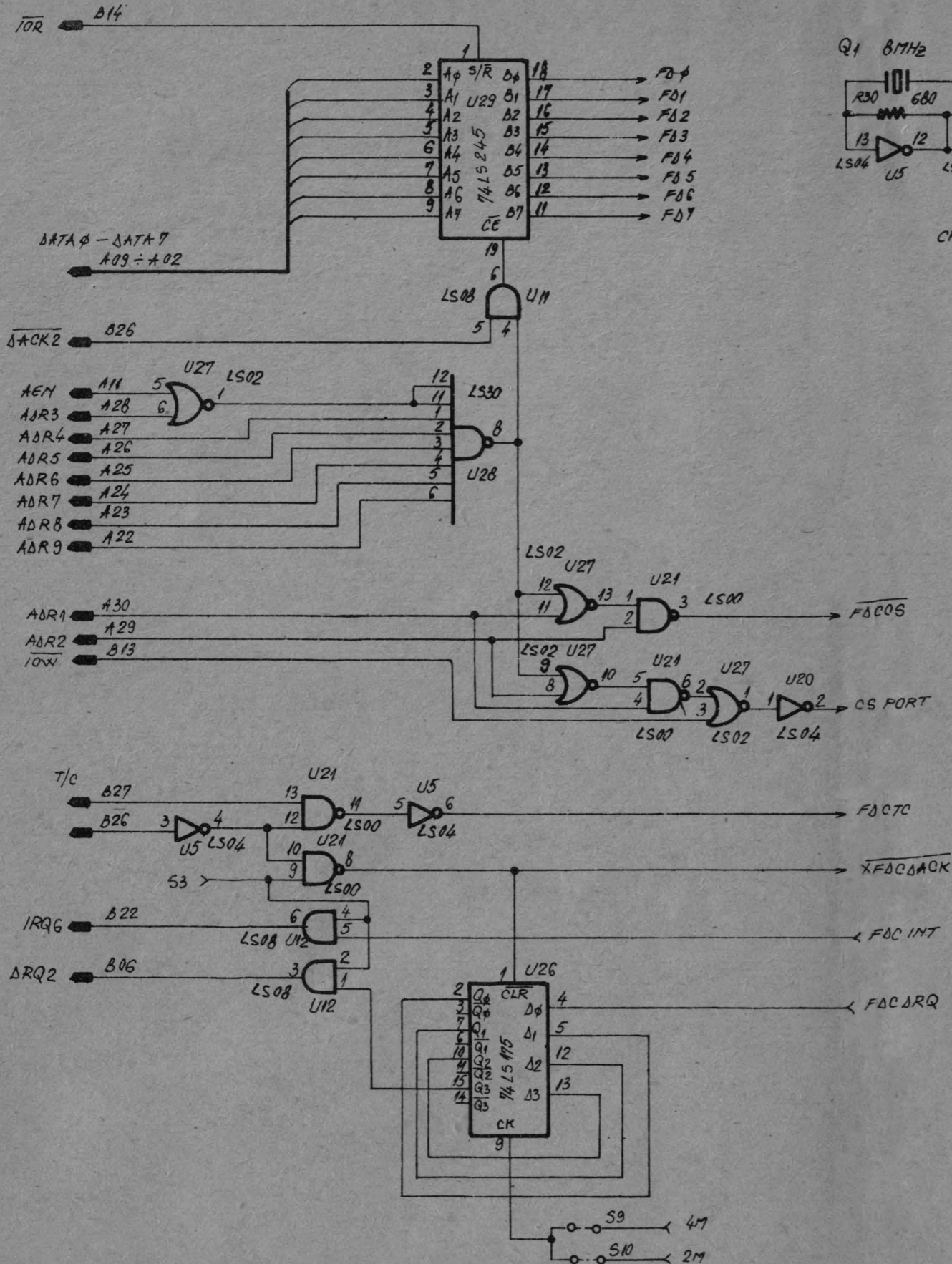
JEXT	JINT
6	24
20	25
7	11
21	12
8	
22	
9	
23	8
14	20
16	10
18	18
19	13
24	16
25	
	3
10	21
2	6
3	23
5	
4	
17	1
11	22
18	9
15	15
7	7
15	17
1	5
13	19

Produs: JUNIOR-XT		Cod:703	
IEPER	Rev.	703 910 030	Data: 2.XI.1988
APTG	B	FLOPPY DISK ADAPTER	Fila: 1/3



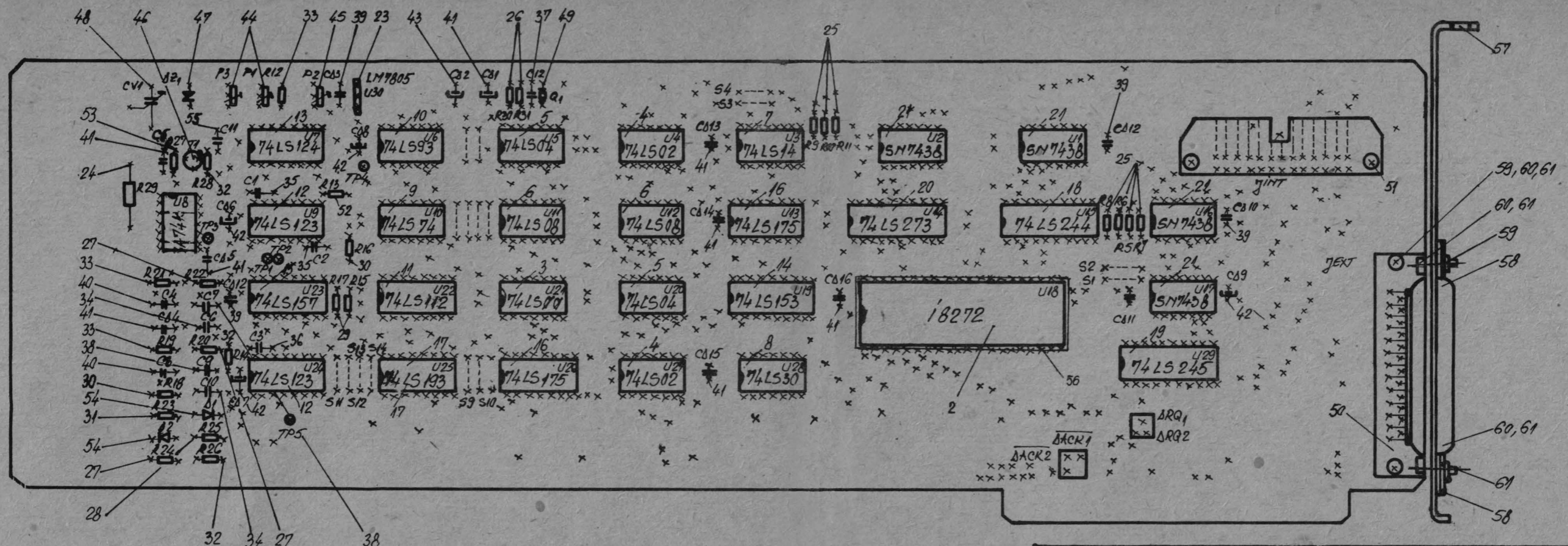
to/from 8272

Produs: JUNIOR-XT		Cod: 703
IEPER	Rev. 703 910 030	Data: 2. XI.1988
APTG	B FLOPPY DISK ADAPTER	Fila: 2 / 3



1. DRIVE TYPE
- |                 |              |
|-----------------|--------------|
| a/ SINGLE SIDED | DOUBLE SIDED |
| S1 - OFF        | S1 - ON      |
| S2 - ON         | S2 - OFF     |
| b/ 5.25 inch    | 8 inch       |
| S5 - OFF        | S5 - ON      |
| S6 - ON         | S6 - OFF     |
| S7 - ON         | S7 - OFF     |
| S8 - OFF        | S8 - ON      |
| S9 - OFF        | S9 - ON      |
| S10 - ON        | S10 - OFF    |
| S11 - OFF       | S11 - ON     |
| S12 - ON        | S12 - OFF    |
| S13 - ON        | S13 - OFF    |
| S14 - OFF       | S14 - ON     |
| S15 - ON        | S15 - OFF    |
| S16 - OFF       | S16 - ON     |
2. READY SIGNAL
- |            |            |
|------------|------------|
| DON'T CARE | FROM DRIVE |
| S3 - ON    | S3 - OFF   |
| S4 - OFF   | S4 - ON    |

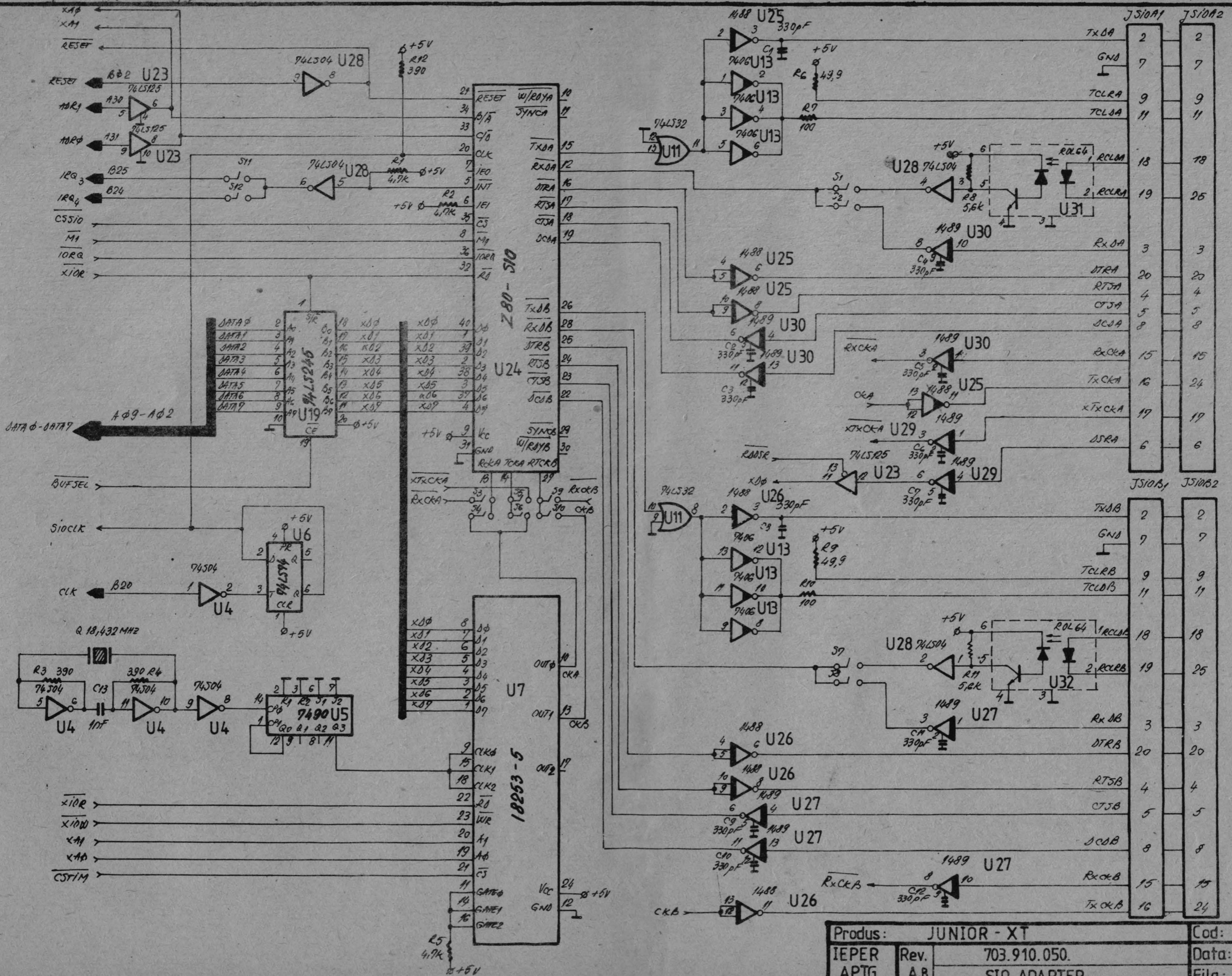
Produs: JUNIOR-XT		Cod: 703
IEPER	Rev.	703 910 030
APTG	B	FLOPPY DISK ADAPTER
		Data: 2. XI.1988
		Fila: 3/3



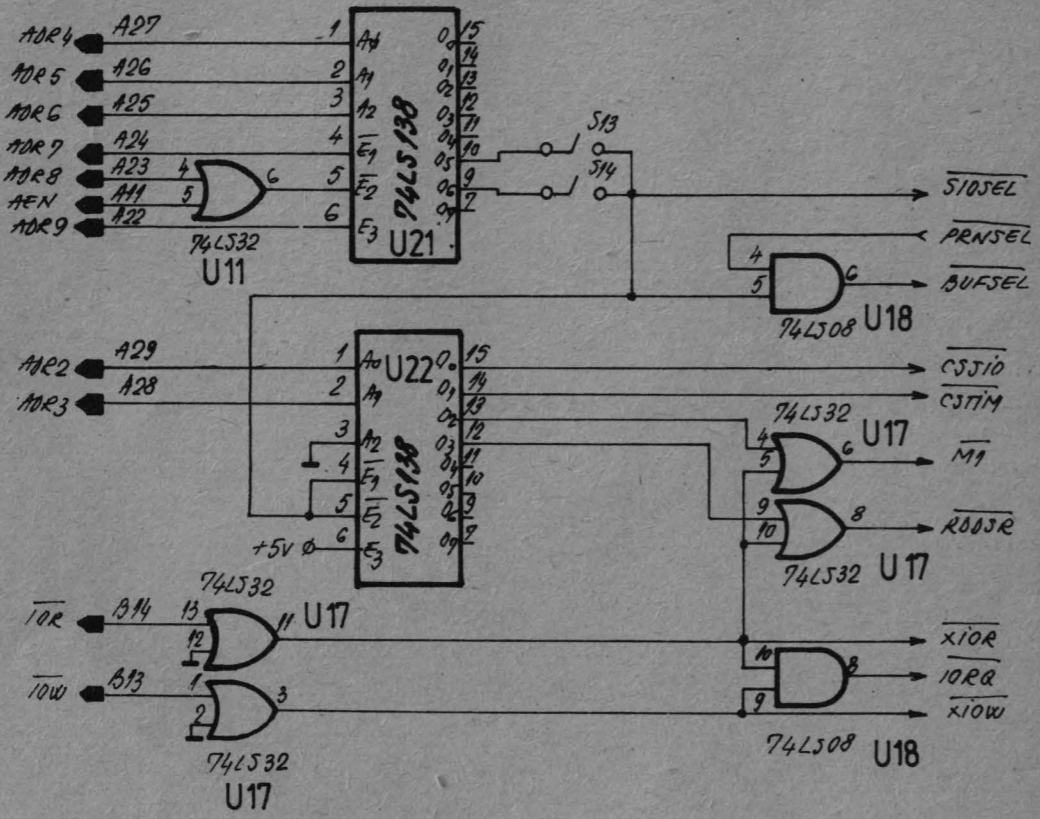
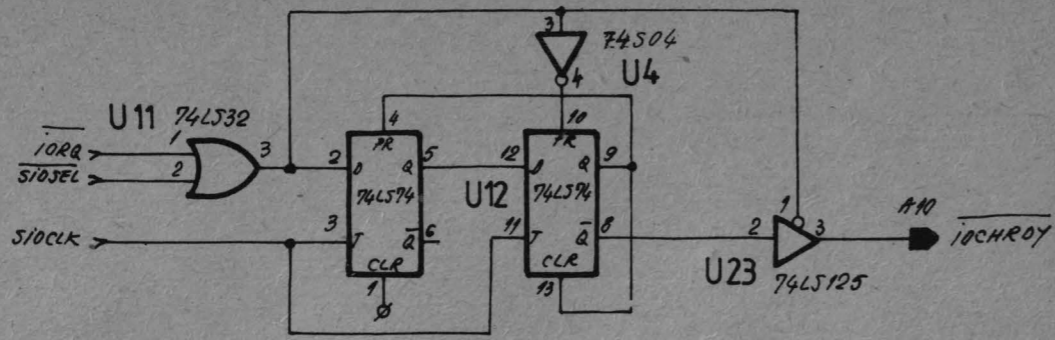
65		Saiță izolatoare	211010xx	VIM	4
64		Piuliță hexagonală M2,5	316.110.025	ISEA	4
63		Saiță plată Ø 2,5	332.110.025	ISEA	4
62		Surub M2,5 x 12	303.112.512	ISEA	4
61		Saiță plată Ø3	332.110.030	ISEA	4
60		Piuliță hexagonală M3	316.110.030	ISEA	4
59		Surub M3 x 6	STAS 10235/80	ISEA	4
58		Ureche cu filet	400.057	ISEA	2
57		Suport condensator 25contacte	703.110.005	VIM	1
56		Sacul circuit integrat 40pin	77919021	import	1
55	C11	Condensator 47pF/10% / 50V	MC 3202	IPEE	1
54	Ø1, Ø2	Diadă	114148	IPRS	2
53	R27	Rezistență 330Ω/5% / 0,25W	RPM 3025	IPEE	1
52	R13	Rezistență 20KΩ/5% / 0,25W	RPM 3025	IPEE	1
51	JINT	Conector 26contacte totu	100184	CONNECT	1
50	JEXT	Conector rack 25contacte mama	200856	CONNECT	1
49	Q	Cuort 8MHz		IFA	1
48	CV1	Trimer ceramic 10/40pF	CT 1010V	IPEE	1
47	Z1	Diadă Zener	PL6V2Z	IPRS	1
46	T1	Tranzistor	2N 2222	IPRS	1
45	P2	Rezistență terminabilă 10KΩ/20%	RFT	RAG	1
44	P1, P3	Rezistență terminabilă 47KΩ/20%	RFT	RAG	2
43	CØ2	Condensator 33µF/16V/10%	CTSP 1045	TEHNOTON	1
42	CØ6 ÷ CØ9	Condensator 10µF/16V/10%	CTSP 1042	TEHNOTON	4
41	CØ1, CØ4, CØ5, CØ13	Condensator 100nF/10% / 50V	M8 3202	IPEE	8
40	C4, C8	Condensator 47nF/10% / 50V	M8 3202	IPEE	2
39	CØ3, CØ10, CØ11, CØ12	Condensator 10nF/10% / 50V	M8 3202	IPEE	4
Poz	Simbol	Denumirea	Cod	Observatii	Cant

38	C7, C9	Condensator 1,2nF/10% / 50V	MC 3203	IPEE	2
37	C12	Condensator 33pF/10% / 50V	MC 3202	IPEE	1
36	C3	Condensator 22pF/10% / 50V	MC 3202	IPEE	1
35	C1, C2	Condensator 150pF/10% / 50V	MC 3202	IPEE	2
34	C6, C10	Condensator 100pF/10% / 50V	MC 3202	IPEE	2
33	R13, R21, R12	Rezistență 10KΩ/5% / 0,25W	RPM 3025	IPEE	3
32	R14, R26, R28	Rezistență 51KΩ/5% / 0,25W	RPM 3025	IPEE	3
31	R23	Rezistență 2KΩ/5% / 0,25W	RPM 3025	IPEE	1
30	R16, R18	Rezistență 3,3KΩ/5% / 0,25W	RPM 3025	IPEE	2
29	R15, R17	Rezistență 2,2KΩ/5% / 0,25W	RPM 3025	IPEE	2
28	R25	Rezistență 1,1KΩ/5% / 0,25W	RPM 3025	IPEE	1
27	R20, R22, R24	Rezistență 1KΩ/5% / 0,25W	RPM 3025	IPEE	3
26	R30, R31	Rezistență 680Ω/5% / 0,25W	RPM 3025	IPEE	2
25	R5 ÷ R11	Rezistență 150Ω/5% / 0,25W	RPM 3025	IPEE	7
24	R29	Rezistență 39Ω/5% / 0,5W	RPM 3050	IPEE	1
23	U130	Circuit integrat	LM 7805 (70225)	SUA	1
22	U8	Circuit integrat	8A741 (mini dip)	IPRS	1
21	U1, U2, U16, U17	Circuit integrat	SN 7438	K155 LA13	4
20	U14	Circuit integrat	74 LS 273	TEXAS INST.	1
19	U29	Circuit integrat	74 LS 245	K555 AP6	1
18	U15	Circuit integrat	74 LS 244	K555 AP5	1
17	U25	Circuit integrat	74 LS 193	K555 IE7	1
16	U13, U26	Circuit integrat	74 LS 175	K555 TM8	2
15	U23	Circuit integrat	74 LS 157	K555 KP16	1
14	U19	Circuit integrat	74 LS 153	K555 KP2	1
13	U7	Circuit integrat	74 S 124	K531 G6 IP	1
12	U9, U24	Circuit integrat	74 LS 123	K555 AG3	2
11	U22	Circuit integrat	74 LS 112	K555 TV9	1
10	U6	Circuit integrat	74 LS 93	K555 IE5	1
9	U10	Circuit integrat	74 LS 74	KM555 TM2	1
8	U28	Circuit integrat	74 LS 30	K555 LA2	1
7	U3	Circuit integrat	74 LS 14	K555 TL2	1
6	U11, U20	Circuit integrat	74 LS 08	K555 LI1	2
5	U5, U20	Circuit integrat	74 LS 04	K555 LI1	2
4	U4, U27	Circuit integrat	74 LS 02	K555 LE1	2
3	U21	Circuit integrat	74 LS 00	K555 LA3	1
2	U18 (pe sacul)	Circuit integrat	18272	MPS 715	1
1		Circuit imprimat rev. B	703 910 031		1
Poz	Simbol	Denumirea	Cod	Observatii	Cant
Produs JUNIOR XT				Cod: 703	
IEPER	Rev.	703.910.030		Data: 7.11.1988	
APTG	B	FLOPPY DISK ADAPTER		Fila: 1/1	





Produs: JUNIOR - XT		Cod: 703
IEPER	Rev. 703.910.050.	Data: 07.01.'88
APTG	A.B SIO ADAPTER	Fila: 1/3



STRAP 11-14 CONFIGURATION (SIO ADAPTER ADDRESS):

ADDRESS	S11	S12	S13	S14
250-25F	OFF	ON	ON	OFF
260-26F	ON	OFF	OFF	ON

STRAP S3-S6 CONFIGURATION (SIOA ASYNC/SYNC MODE):

MODE	S3	S4	S5	S6
ASYNC	OFF	ON	OFF	ON
SYNC	ON	OFF	ON	OFF

STRAP S1-S2 CONFIGURATION (SIOA INTERFACE TYPE):

INTERFACETYPE	S1	S2
CCITT-V24	OFF	ON
CURRENT LOOP	ON	OFF

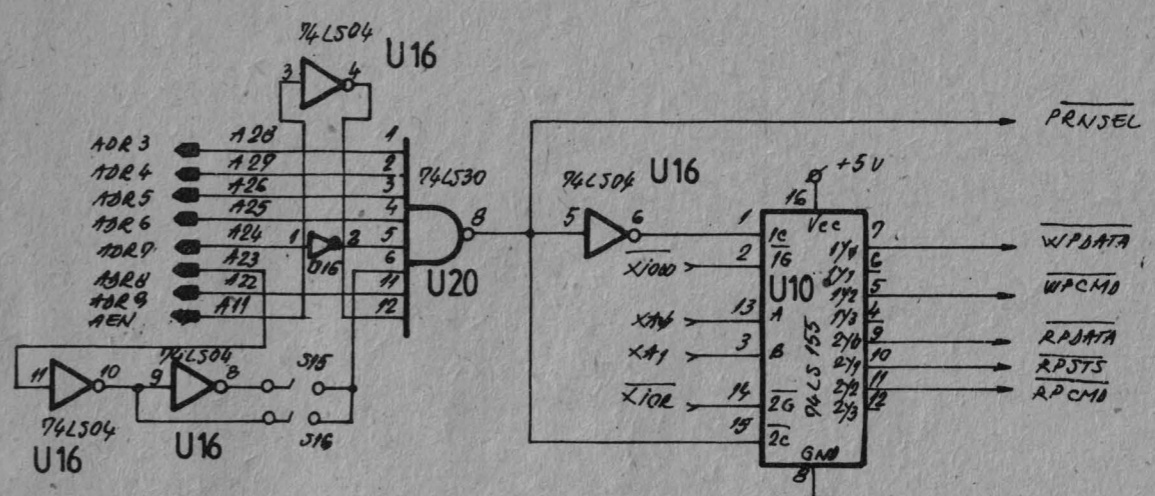
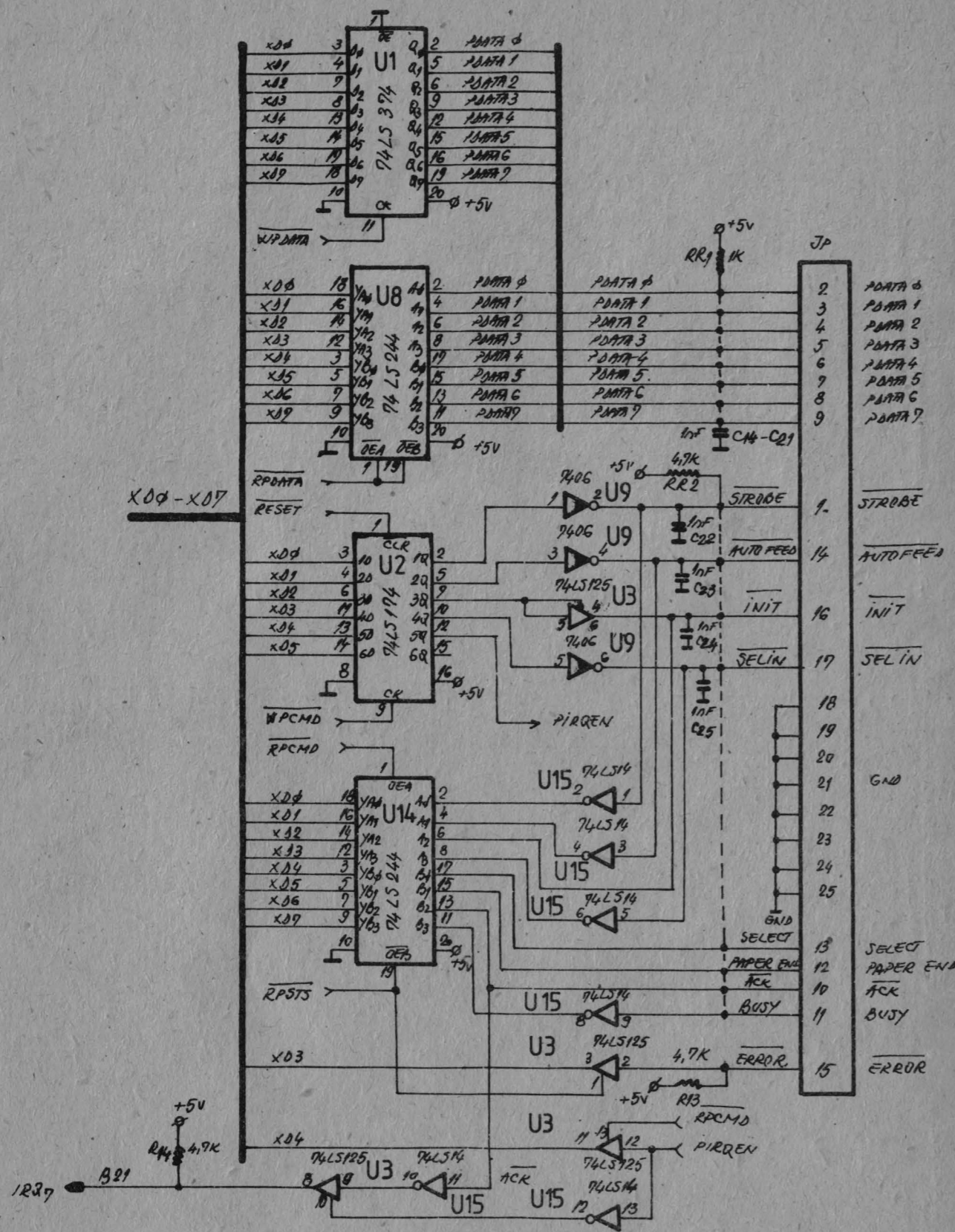
STRAP S9-S10 CONFIGURATION (SIOB ASYNC/SYNC MODE):

MODE	S9	S10
ASYNC	OFF	ON
SYNC	ON	OFF

STRAP S7-S8 CONFIGURATION (SIOB INTERFACE TYPE):

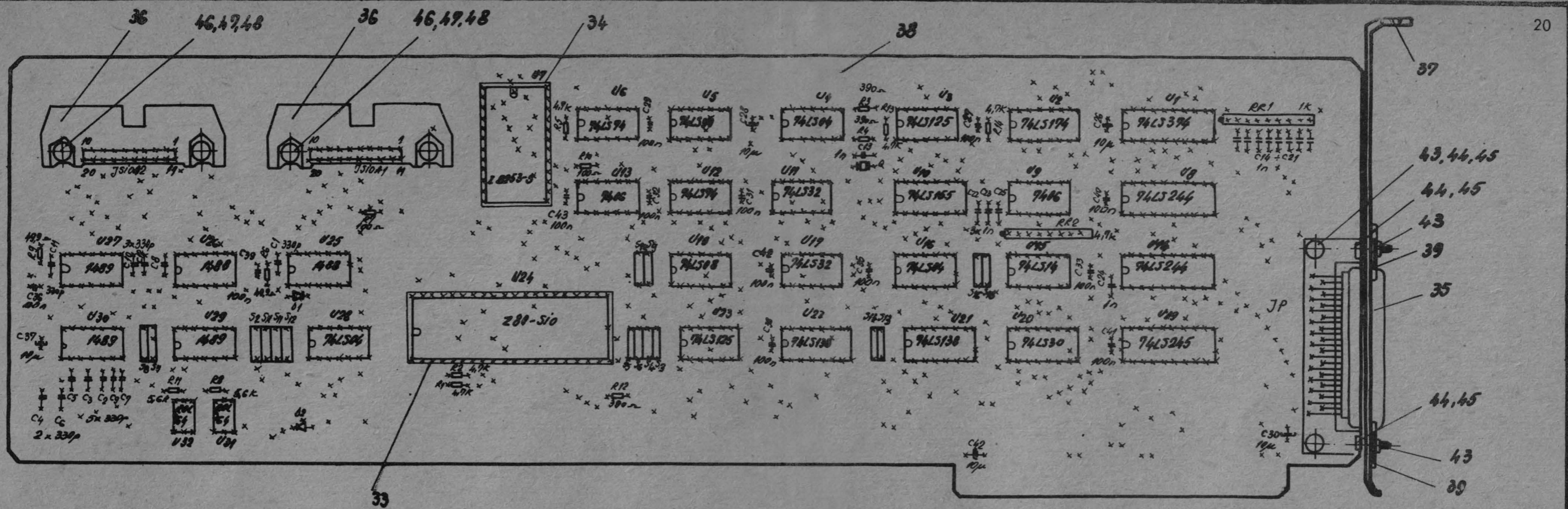
INTERFACETYPE	S7	S8
CCITT-V24	OFF	ON
CURRENT LOOP	ON	OFF

Produs: JUNIOR-XT		Cod: 703
IEPER	Rev. 703.910.050.	Data: 07.01.88
APTG	A,B SIO ADAPTER	Fila: 2/3



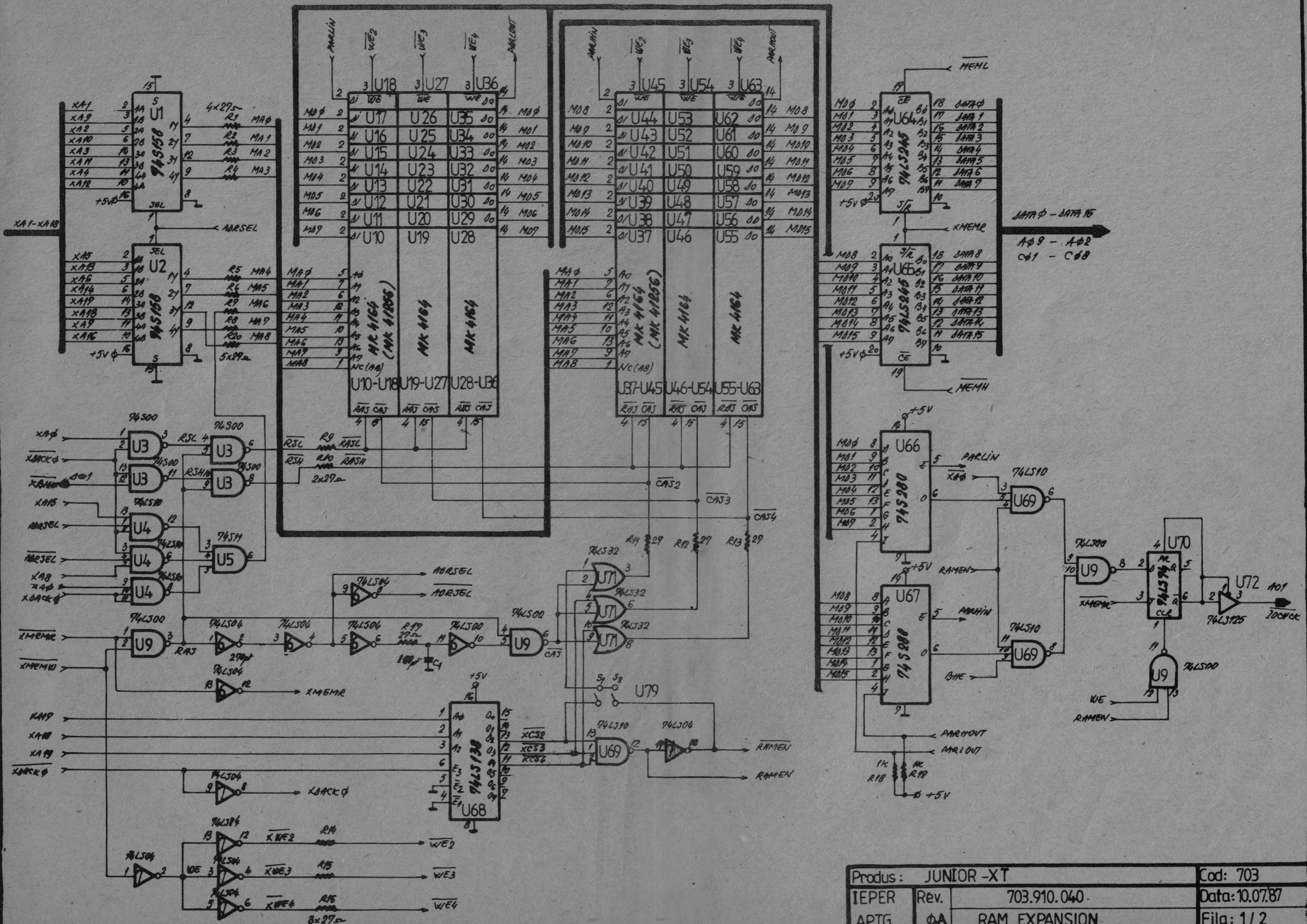
STRAP J15-J16 CONFIGURATION (PRINTER ADAPTER ADDRESS):

ADDRESS	J15	J16
298	OFF	ON
398	ON	OFF

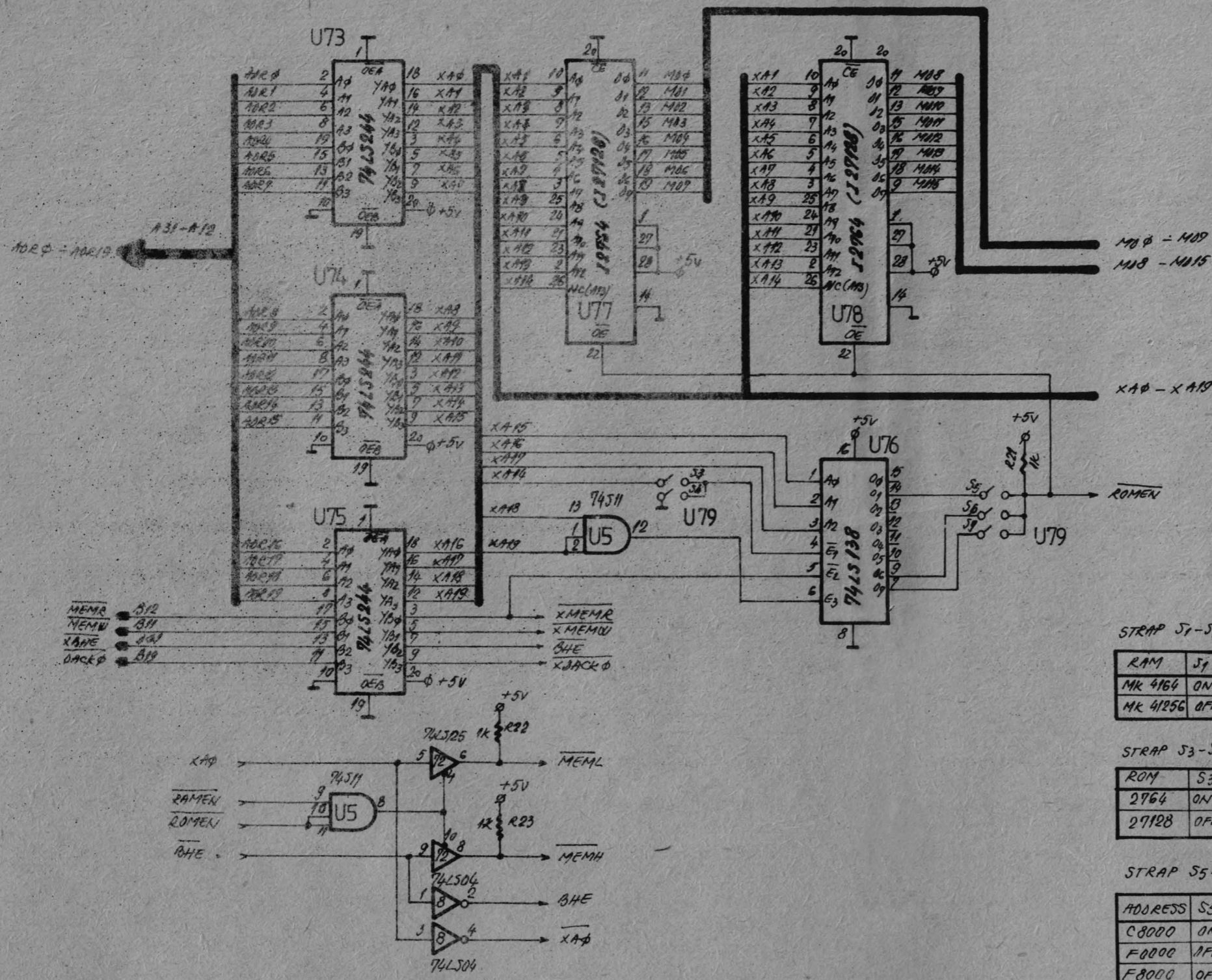


Poz.	Simbol	Denumirea	Cod	Observatii	Cant.
36	JS10A1 JS10A2	Conector cablu plot fată 20 contacte	100.183		2
35	JP	Conector RACK 25 contacte mamă	200.856		1
34	U7	Solu circuit integrat 24 pini	979.19019		1
33	U24	Solu circuit integrat 40 pini	979.19021		1
32	C13 = C25	Condensator 10nF / 10% / 50V	MC 3203		13
31	C1 = C12	Condensator 330pF / 10% / 80V	MC 3202		12
30	R8, R9	Rezistență 5,6k / 5% / 0,25 W	RPM 3028		2
29	R7, R10	Rezistență 100Ω / 5% / 0,5 W	RPM 3050		2
28	R6, R9	Rezistență 49,9Ω / 1% / 0,5 W	RPM 3050		2
27	R3, R6, R12	Rezistență 390Ω / 5% / 0,25 W	RPM 3025		3
26	R1, R2, R5, R13, R14	Rezistență 4,7kΩ / 5% / 0,25 W	RPM 3025		5
25	RR2	Rețea rezistivă 8 x 4kΩ	RR 3000		1
24	RR1	Rețea rezistivă 8 x 1kΩ	RR 3000		1
23	Q	Quartz 18,432 MHz			1
22	U1, U2	Diode	1N4148		2
21	U31, U32	Optocoupler	ROL64		2
20	U24	Circuit integrat	280-S10	U856	1
19	U7	Circuit integrat	18253	KR 580 VI53	1
18	U29, U29, U30	Circuit integrat	RO6.1439		3
17	U25, U26	Circuit integrat	RO6.1438		2
16	U9, U13	Circuit integrat	CO6.406		2
15	U4	Circuit integrat	74LS04	K 555 LN1	1
14	U20	Circuit integrat	74LS30	K 555 LA 2	1
13	U18	Circuit integrat	74LS08	K 555 LI 1	1
12	U16, U28	Circuit integrat	74LS04	K 555 LN1	2
11	U15	Circuit integrat	74LS14	K 555 TL 2	1
10	U10	Circuit integrat	74LS155	K 555 U 4	1
9	U11, U17	Circuit integrat	74LS32	K 555 ZL 1	2
8	U6, U12	Circuit integrat	74LS74	K 555 TN 2	2
7	U5	Circuit integrat	74LS90	CO6.490	1
6	U21, U22	Circuit integrat	74LS138	K 555 U 7	2
5	U3, U23	Circuit integrat	74LS125	K 555 LP 3	2
4	U2	Circuit integrat	74LS194	K 555 TM 9	1
3	U19	Circuit integrat	74LS245	K 555 AP 6	1
2	U8, U14	Circuit integrat	74LS244	K 555 AP 5	2
1	U1	Circuit integrat	74LS394	K 555 LR 23	1
Poz. Simbol		Denumirea	Cod	Observatii	Cant.
Produs:		JUNIOR -XT		Cod: 703	
IEPER		Rev.	703 910 050	Data: 21.11.'88	
APTG		B	SPA	Fila: 111	

50	S1-S16	Micrinterupător	220.025		8
49		Saibă izolatoare	241010xx		6
48		Piuliță hexagonală M2,5	316.110.025		4
47		Saibă plată φ 2,5	332.110.025		4
46		Jurub M2,5 x 12	303.112.512		4
45		Saibă plată φ 3	332.110.030		4
44		Piuliță hexagonală M3	316.110.030		4
43		Jurub M3 x 6	316.112.512		4
42	SW	Micrinterupător	220.025		8
41		Condensator 10μF / 16V / 10%	CS3P.1353		3
40		Condensator 100nF / 10% / 50V	MC 3203		13
39		Wire ce fier	404.007		2
38		Circuit imprimat	703.910.050	Rev B	1
37		Bară conector 25 contacte	703.112.025		1



Produs: JUNIOR -XT		Cod: 703
IEPER	Rev. 703.910.040	Data: 10.07.87
APTG	ΦA RAM EXPANSION	Fila: 1 / 2



STRAP S1-S2 FUNCTION (RAM TYPE):

RAM	S1	S2
MR 4164	ON	OFF
MR 41256	OFF	ON

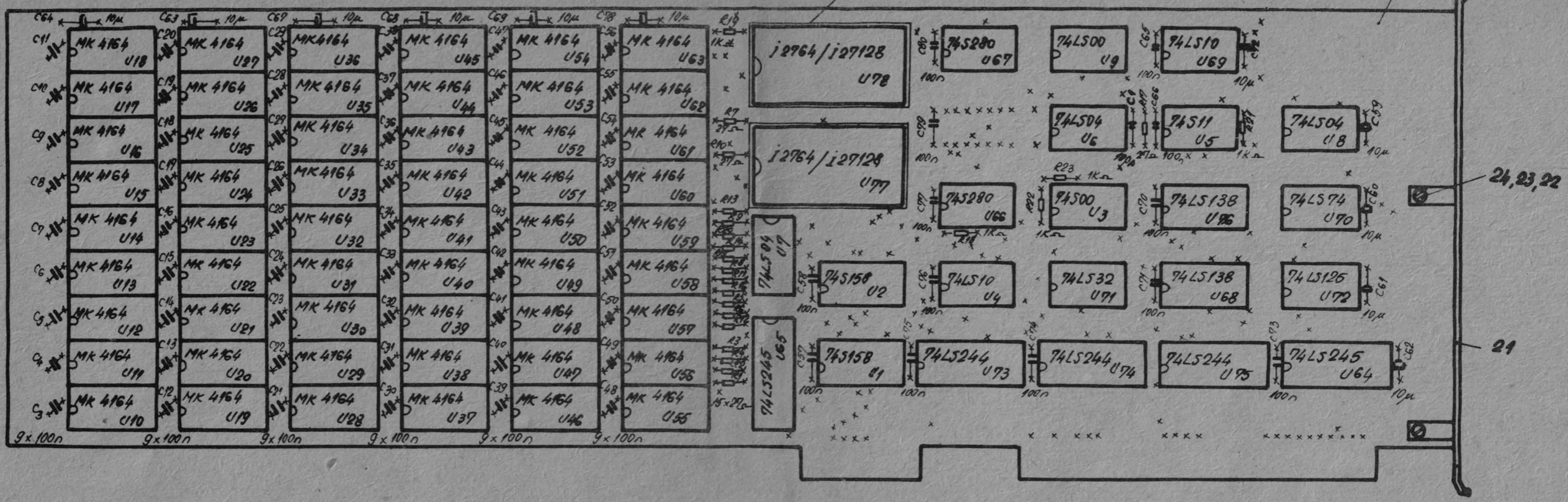
STRAP S3-S4 FUNCTION (ROM TYPE):

ROM	S3	S4
2764	ON	OFF
27128	OFF	ON

STRAP S5-S7 FUNCTION (ROM ADDRESS):

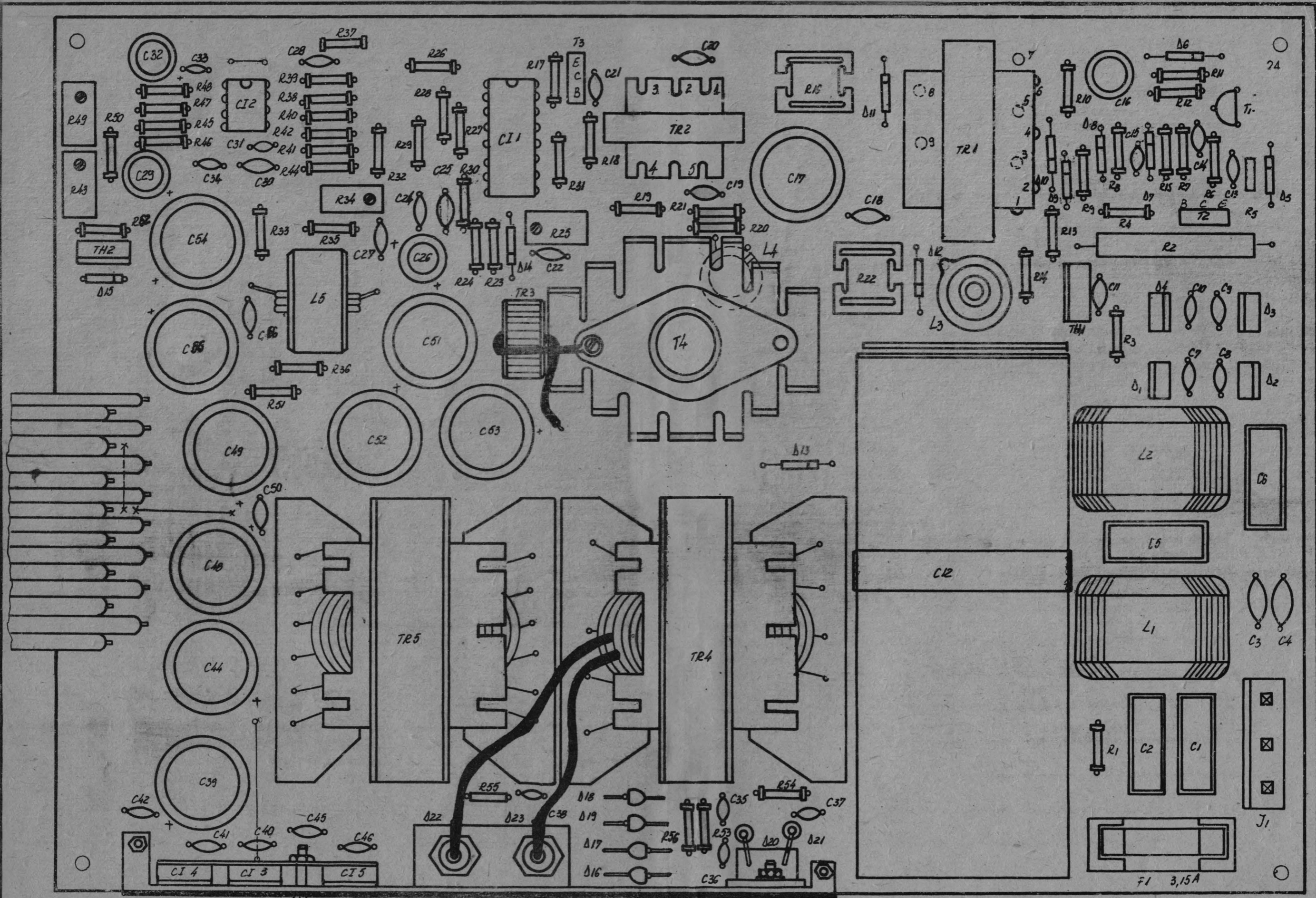
ADDRESS	S5	S6	S7
C8000	ON	OFF	OFF
F0000	OFF	ON	OFF
F8000	OFF	OFF	ON

Produs: JUNIOR - XT		Cod: 703
IUPER	Rev. 703.910.040	Data: 10.07.87
APTG	RAM EXPANSION	Fila: 2/2



**NOTĂ:** Circuitele integrate și soclurile de la pozițiile U96, U97, U98 nu se plan-tează decât pentru extensie de ROM

16	C3-C58, C63-C65, C70, C71, C73-C75, C77, C78, C80	Condensator 100 nF / 10% / 50V	MX 3203	67	
15	U1, U2	Circuit integrat	74LS158 / 74LS258	K 531 KP4P 2	
14	U73-U75	Circuit integrat	74LS244	K 555 AP3 3	
13	U64, U65	Circuit integrat	74LS245	K 555 AP6 2	
12	U71	Circuit integrat	74LS32	K 555 LL1 1	
11	U9	Circuit integrat	74LS00	K 555 LA3 1	
10	U5	Circuit integrat	74LS11	K 531 LI3 1	
9	U4, U69	Circuit integrat	74LS10	K 555 LA4 2	
8	U3	Circuit integrat	74LS00	K 531 LA3 1	
7	U6, U7, U8	Circuit integrat	74LS04	K 555 LN 1 3	
6	U70	Circuit integrat	74LS74	K 555 TM2 1	
5	U72	Circuit integrat	74LS125	K 555 LP8 1	
4	U68, U76	Circuit integrat	74LS138	K 555 ID7 2	
3	U66, U67	Circuit integrat	74LS280	K 531 IP5 2	
2	U10-U63	Circuit integrat	MK 4164	K 565 RU56 54	
1		Circuit imprimat	703.910.041 Rev. A.	1	
26	U77, U78	Soclu circuit integrat 28 pin	77919020	2	
25	U77, U78	Circuit integrat	I2764/I27128	2	
24		Piuliță M3	316.110.030	2	
23		Saibă 03	332.110.030	4	
22		Șurub M3x6	37AS 10295/80	2	
21		Bară conector tip 4	703.110.009	1	
20	R18, R19, R21-R23	Rezistență 1K $\Omega$ / 5% / 0,25W	RCG 3088	5	
19	R1-R17, R20	Rezistență 27 $\Omega$ / 5% / 0,25W	RCG 3085	18	
18	C1	Condensator 100pF / 10% / 50V	MC 3202	1	
17	C63, C64, C67, C68, C69, C70, C72, C59-C62	Condensator 10 $\mu$ F / 10% / 16V	MSP 1042	11	
Poz	Simbol	Denumirea	Cod	Observat	Cont
		Produs: JUNIOR-XT		Cod: 703	
		IEPER Rev. 703 910040		Data 21.11.88	
		APTG A RAM EXPANSION		Fila: 111	



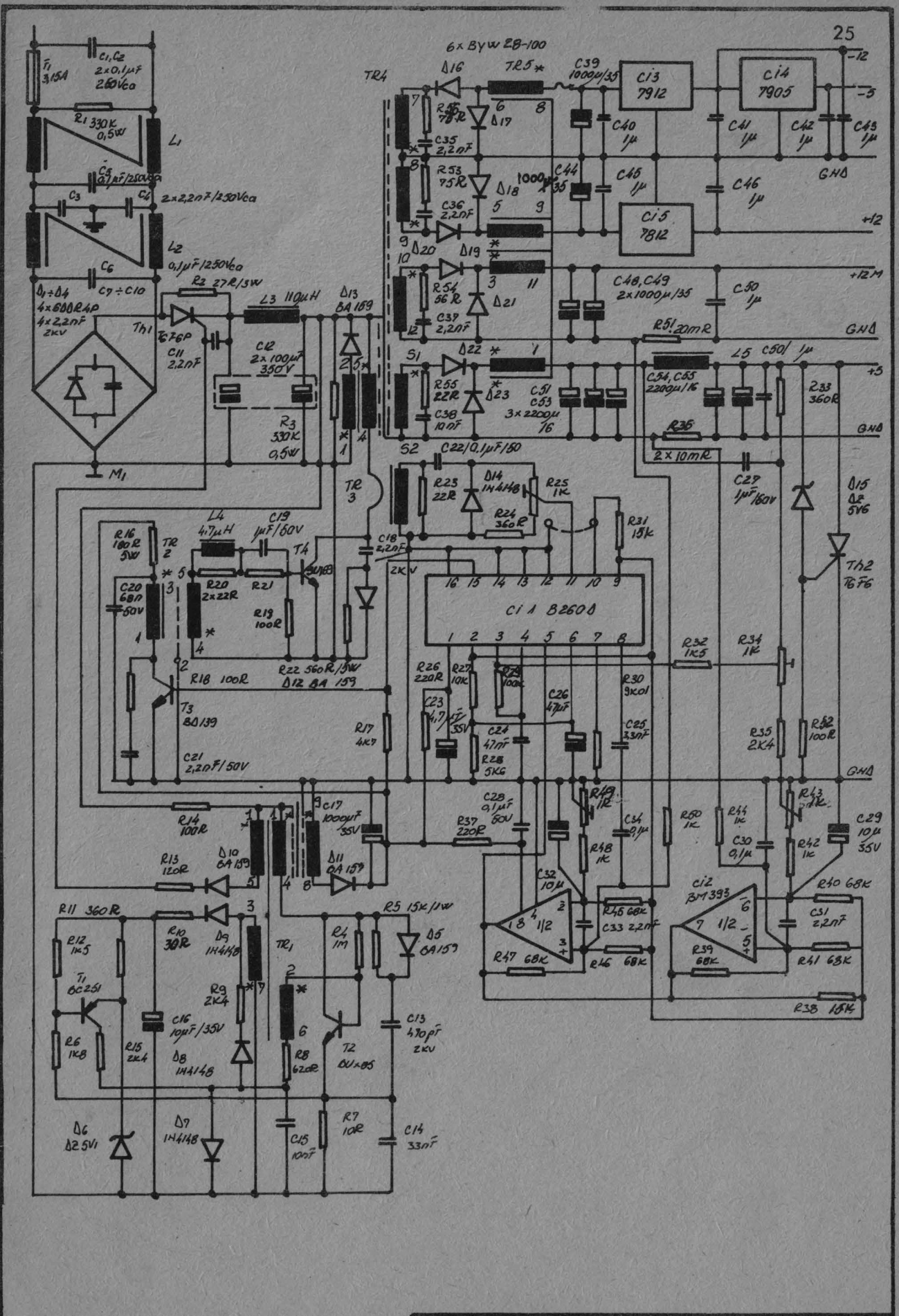
PLAN DE IMPLANTARE  
SURSA SAC 150W

2:1

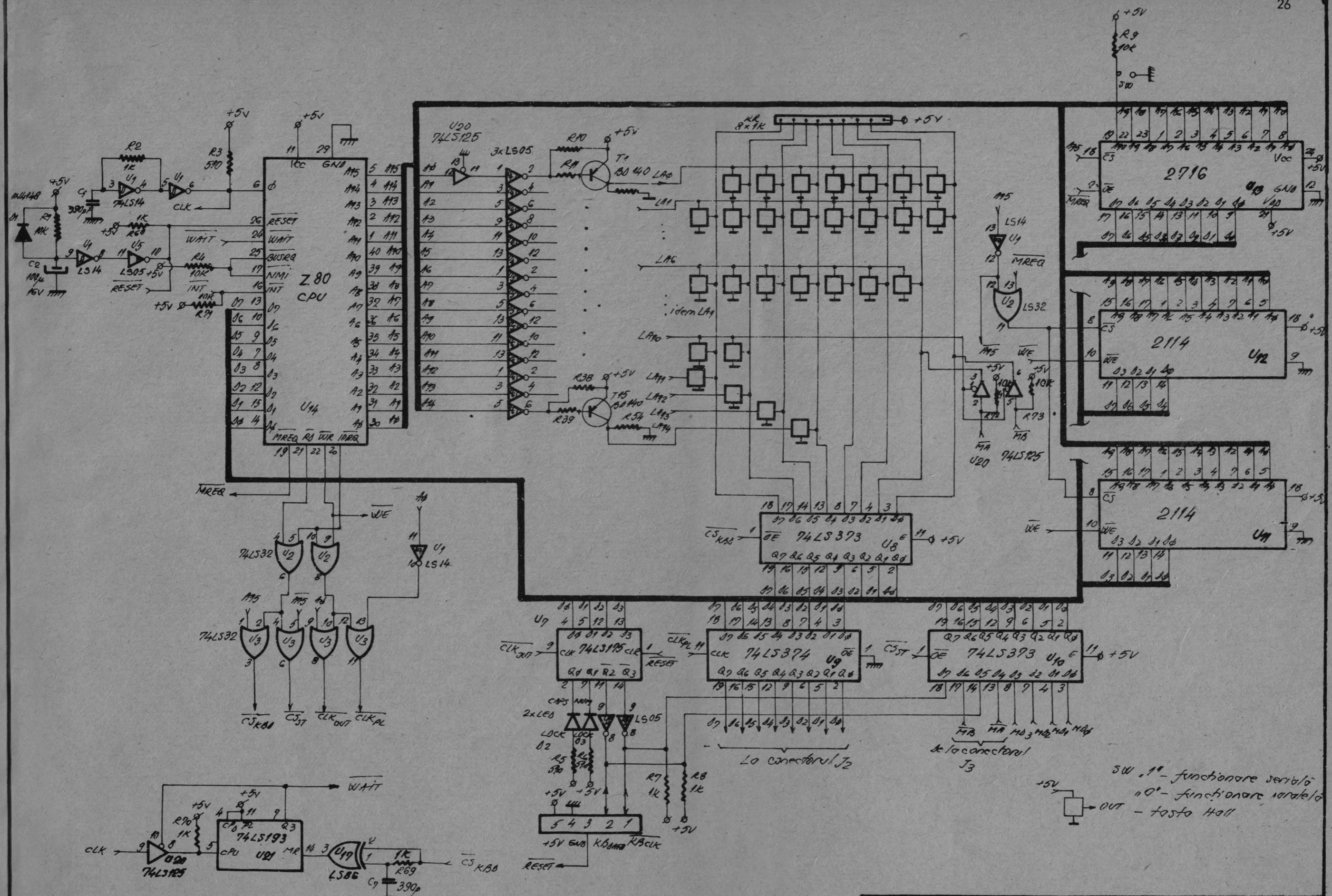
703.910.211 rev A.

Ing. Zaharia C.





Sursă Junior XT		703
Rev. A.	Schemă electrică	703.910.210



SW 1<sup>a</sup> - functionare serială  
 "0" - functionare paralelă  
 OUT - tasta Hall

Produs: JUNIOR-XT		Cod: 703
IUPER	Rev	703.910.110
APTG	C	KEYBOARD
		Fila: 1/1

